



(12) **United States Patent**  
**King et al.**

(10) **Patent No.:** **US 11,991,491 B2**  
(45) **Date of Patent:** **\*May 21, 2024**

(54) **VEHICLE SENSOR**

(71) Applicant: **IPS Group Inc.**, San Diego, CA (US)

(72) Inventors: **David William King**, Rancho Santa Fe, CA (US); **Alexander Schwarz**, San Diego, CA (US); **Stephen John Hunter**, San Diego, CA (US); **Chad P. Randall**, San Diego, CA (US)

(73) Assignee: **IPS GROUP INC.**, San Diego, CA (US)

(\*) Notice: Subject to any disclaimer, the term of this patent is extended or adjusted under 35 U.S.C. 154(b) by 0 days.

This patent is subject to a terminal disclaimer.

(21) Appl. No.: **18/313,781**

(22) Filed: **May 8, 2023**

(65) **Prior Publication Data**

US 2024/0064441 A1 Feb. 22, 2024

**Related U.S. Application Data**

(63) Continuation of application No. 17/497,505, filed on Oct. 8, 2021, now Pat. No. 11,683,617, which is a (Continued)

(51) **Int. Cl.**

**H04Q 9/00** (2006.01)

**G06K 7/10** (2006.01)

(Continued)

(52) **U.S. Cl.**

CPC ..... **H04Q 9/00** (2013.01); **G06K 7/10415** (2013.01); **H02J 7/35** (2013.01); **H04B 5/77** (2024.01);

(Continued)

(58) **Field of Classification Search**

CPC .. H04Q 9/00; H04Q 2209/40; H04Q 2209/88; G06K 7/10415; H02J 7/35;

(Continued)

(56) **References Cited**

**U.S. PATENT DOCUMENTS**

D189,106 S 10/1960 Leiderman  
3,183,411 A 5/1965 Palfi

(Continued)

**FOREIGN PATENT DOCUMENTS**

CA 2377010 A1 10/2001  
CA 2363915 A1 5/2003

(Continued)

**OTHER PUBLICATIONS**

Flatley. In San Francisco, Hackers Park for Free. Read filed under Misc. Gadgets, downloaded from www.engadget.com website on May 3, 2010. Originally posted on Jul. 31, 2009 (5 pgs.).

(Continued)

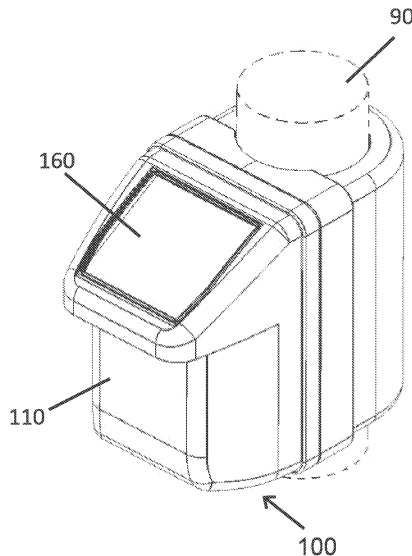
*Primary Examiner* — James J Yang

(74) *Attorney, Agent, or Firm* — Wilson Sonsini Goodrich & Rosati

(57) **ABSTRACT**

Devices and meters comprising: a housing configured to mount to a pole supporting an existing meter, the housing defining an interior; a sensor within the interior of the housing, the sensor configured to collect environmental information pertaining to the local external environment of the existing meter; a wireless radio within the interior of the housing, the wireless radio configured to transmit the environmental information to the existing meter or to a remote server in communication with the existing meter; a power unit within the interior of the housing, the power unit supplying power to the sensor and the wireless radio.

**30 Claims, 10 Drawing Sheets**



**Related U.S. Application Data**

continuation of application No. 16/852,180, filed on Apr. 17, 2020, now Pat. No. 11,172,274, which is a continuation of application No. 16/661,960, filed on Oct. 23, 2019, now Pat. No. 10,674,236, which is a continuation of application No. 16/373,328, filed on Apr. 2, 2019, now Pat. No. 10,491,972, which is a continuation of application No. 15/443,734, filed on Feb. 27, 2017, now Pat. No. 10,299,018.

(60) Provisional application No. 62/301,302, filed on Feb. 29, 2016.

**(51) Int. Cl.**

**H02J 7/35** (2006.01)  
**H04B 5/77** (2024.01)  
**H04W 4/80** (2018.01)  
**H04W 84/12** (2009.01)

**(52) U.S. Cl.**

CPC ..... **H04W 4/80** (2018.02); **H04Q 2209/40** (2013.01); **H04Q 2209/88** (2013.01); **H04W 84/12** (2013.01)

**(58) Field of Classification Search**

CPC ..... H04B 5/0062; H04W 4/80; H04W 84/12; H04W 4/38; H04W 4/44  
 See application file for complete search history.

**(56)**

**References Cited**

U.S. PATENT DOCUMENTS

3,535,870 A 10/1970 Mitchell et al.  
 3,999,372 A 12/1976 Welch et al.  
 4,025,791 A 5/1977 Lenington et al.  
 4,043,117 A 8/1977 Maresca et al.  
 4,310,890 A 1/1982 Trehn et al.  
 4,460,965 A 7/1984 Trehn et al.  
 4,880,097 A 11/1989 Speas  
 5,201,396 A 4/1993 Chalabian et al.  
 5,222,076 A 6/1993 Ng et al.  
 5,244,070 A 9/1993 Carmen et al.  
 5,273,151 A 12/1993 Carmen et al.  
 5,426,363 A 6/1995 Akagi et al.  
 5,442,348 A 8/1995 Mushell  
 5,471,139 A 11/1995 Zadoff  
 5,614,892 A 3/1997 Ward, II et al.  
 5,640,002 A 6/1997 Ruppert et al.  
 5,642,119 A 6/1997 Jacobs  
 5,659,306 A 8/1997 Bahar  
 5,710,743 A 1/1998 Dee et al.  
 5,777,951 A 7/1998 Mitschele et al.  
 5,806,651 A 9/1998 Carmen et al.  
 D400,115 S 10/1998 Yaron et al.  
 5,842,411 A 12/1998 Johnson  
 5,845,268 A 12/1998 Moore  
 5,852,411 A 12/1998 Jacobs et al.  
 6,078,272 A 6/2000 Jacobs et al.  
 6,081,205 A 6/2000 Williams  
 6,111,522 A 8/2000 Hiltz et al.  
 6,195,015 B1 2/2001 Jacobs et al.  
 D439,591 S 3/2001 Reidt et al.  
 6,229,455 B1 5/2001 Yost et al.  
 D447,714 S 9/2001 Cappiello  
 D449,010 S 10/2001 Petrucelli  
 6,312,152 B2 11/2001 Dee et al.  
 RE37,531 E 1/2002 Chaco et al.  
 D454,807 S 3/2002 Cappiello  
 D461,728 S 8/2002 Tuxen et al.  
 D463,749 S 10/2002 Petrucelli  
 6,505,774 B1 1/2003 Fulcher et al.  
 6,559,776 B2 5/2003 Katz  
 6,697,730 B2 2/2004 Dickerson  
 6,812,857 B1 11/2004 Kassab et al.

6,856,922 B1 2/2005 Austin et al.  
 6,885,311 B2 4/2005 Howard et al.  
 6,946,974 B1 9/2005 Racunas, Jr.  
 7,023,360 B2 4/2006 Staniszewski et al.  
 7,029,167 B1 4/2006 Mitschele  
 7,391,339 B2 6/2008 Howard et al.  
 D575,168 S 8/2008 King et al.  
 D587,141 S 2/2009 King et al.  
 D600,152 S 9/2009 Stack et al.  
 7,783,530 B2 8/2010 Slemmer et al.  
 7,825,826 B2 11/2010 Welch et al.  
 7,854,310 B2 12/2010 King et al.  
 7,855,661 B2 12/2010 Ponert  
 D635,035 S 3/2011 Matsumoto  
 D654,816 S 2/2012 Mackay et al.  
 D656,046 S 3/2012 Mackay et al.  
 8,138,950 B1 3/2012 Leung  
 D661,603 S 6/2012 Mackay et al.  
 8,279,107 B2 10/2012 Krstanovic et al.  
 8,395,532 B2 3/2013 Chauvin et al.  
 D690,771 S 10/2013 Randall  
 D692,784 S 11/2013 Anderssen et al.  
 8,590,687 B2 11/2013 King et al.  
 8,595,054 B2 11/2013 King et al.  
 8,631,921 B2 1/2014 Jones et al.  
 8,684,158 B2 4/2014 Jones et al.  
 D705,090 S 5/2014 Mackay et al.  
 D707,140 S 6/2014 King et al.  
 D707,141 S 6/2014 King et al.  
 D707,142 S 6/2014 King et al.  
 8,749,403 B2 6/2014 King et al.  
 8,770,371 B2 7/2014 Mackay et al.  
 D715,661 S 10/2014 McKaughan et al.  
 8,862,494 B2 10/2014 King et al.  
 8,884,785 B2 11/2014 Groft et al.  
 9,127,964 B2 9/2015 Schwarz et al.  
 D749,000 S 2/2016 King et al.  
 D756,807 S 5/2016 King et al.  
 D756,808 S 5/2016 King et al.  
 9,424,691 B2 8/2016 King et al.  
 9,489,776 B2 11/2016 Kell et al.  
 9,508,198 B1 11/2016 King et al.  
 9,661,403 B2 5/2017 King et al.  
 9,707,911 B1 7/2017 Myers  
 9,728,085 B2 8/2017 Schwarz et al.  
 D796,355 S 9/2017 Cho et al.  
 D801,405 S 10/2017 Shih et al.  
 9,779,565 B2 10/2017 Rabbat  
 9,805,518 B2 10/2017 King et al.  
 D813,838 S 3/2018 Pietschmann et al.  
 D832,809 S 11/2018 Hardi  
 10,154,029 B1 12/2018 Griffin  
 D843,973 S 3/2019 Klosowski et al.  
 10,262,345 B2 4/2019 King et al.  
 10,297,150 B2 5/2019 Schwarz et al.  
 10,299,018 B1 5/2019 King et al.  
 10,315,665 B2 6/2019 Halder  
 10,464,530 B2 11/2019 Falkson  
 10,491,972 B2 11/2019 King et al.  
 10,503,990 B2 12/2019 Gleeson-May  
 10,664,880 B2 5/2020 King et al.  
 D886,649 S 6/2020 Lan et al.  
 10,674,236 B2 6/2020 King et al.  
 10,741,064 B2 8/2020 Schwarz et al.  
 10,861,334 B2 12/2020 Torres  
 D930,493 S 9/2021 Katzenelson  
 11,132,723 B2 9/2021 King et al.  
 11,172,274 B2 11/2021 King et al.  
 D938,668 S 12/2021 Jia  
 11,386,420 B2 7/2022 Nolan et al.  
 D960,400 S 8/2022 Ding  
 11,423,776 B2 8/2022 Schwarz et al.  
 11,430,027 B2 8/2022 King et al.  
 11,436,649 B2 9/2022 King et al.  
 11,475,491 B2 10/2022 King et al.  
 D986,084 S 5/2023 Jones et al.  
 11,683,617 B2 6/2023 King et al.  
 11,688,277 B2 6/2023 Schwarz et al.  
 2002/0008639 A1 1/2002 Dee

(56)

References Cited

U.S. PATENT DOCUMENTS

2002/0109609 A1 8/2002 Potter, Sr. et al.  
 2002/0109611 A1 8/2002 Howard  
 2002/0111768 A1 8/2002 Ghorayeb et al.  
 2003/0128136 A1 7/2003 Spier et al.  
 2003/0132840 A1 7/2003 Bahar  
 2003/0169183 A1 9/2003 Korepanov et al.  
 2003/0179107 A1 9/2003 Kibria et al.  
 2003/0222792 A1\* 12/2003 Berman ..... G07F 9/026  
 340/5.1  
 2004/0254840 A1 12/2004 Slemmer et al.  
 2005/0099320 A1 5/2005 Nath et al.  
 2005/0226201 A1 10/2005 McMillin et al.  
 2006/0028919 A1 2/2006 Mitschele  
 2006/0052055 A1 3/2006 Rowse et al.  
 2006/0136131 A1 6/2006 Dugan et al.  
 2006/0267799 A1 11/2006 Mendelson  
 2007/0016539 A1 1/2007 Groft et al.  
 2007/0040449 A1 2/2007 Spurlin et al.  
 2007/0074702 A1 4/2007 Nakamura et al.  
 2007/0184852 A1 8/2007 Johnson et al.  
 2007/0189907 A1 8/2007 Kunihiro et al.  
 2007/0210935 A1 9/2007 Yost et al.  
 2007/0285281 A1 12/2007 Welch  
 2008/0052254 A1 2/2008 Al et al.  
 2008/0071611 A1 3/2008 Lovett  
 2008/0147268 A1 6/2008 Fuller  
 2008/0238715 A1 10/2008 Cheng et al.  
 2008/0270227 A1 10/2008 Al Amri  
 2008/0277468 A1 11/2008 Mitschele  
 2008/0291054 A1 11/2008 Groft  
 2008/0319837 A1 12/2008 Mitschele  
 2009/0109062 A1 4/2009 An  
 2009/0146838 A1 6/2009 Katz  
 2009/0159674 A1 6/2009 King et al.  
 2009/0183966 A1 7/2009 King et al.  
 2010/0188932 A1 7/2010 Hanks et al.  
 2010/0332394 A1 12/2010 Ioli  
 2011/0057815 A1 3/2011 King et al.  
 2011/0060653 A1 3/2011 King et al.  
 2011/0063133 A1 3/2011 Keller et al.  
 2011/0313822 A1 12/2011 Burdick  
 2011/0316716 A1 12/2011 Mackay et al.  
 2011/0320243 A1 12/2011 Khan  
 2012/0084210 A1 4/2012 Farahmand  
 2012/0158466 A1 6/2012 John  
 2012/0215375 A1 8/2012 Chang  
 2012/0222935 A1 9/2012 Mackay et al.  
 2012/0285790 A1\* 11/2012 Jones ..... G06Q 20/145  
 709/217  
 2012/0285791 A1 11/2012 Jones et al.  
 2012/0285792 A1 11/2012 Jones et al.  
 2012/0285793 A1 11/2012 Jones et al.  
 2012/0286036 A1 11/2012 Jones et al.  
 2013/0027218 A1 1/2013 Schwarz et al.  
 2013/0099943 A1\* 4/2013 Subramanya ..... G01S 13/02  
 340/933  
 2013/0116952 A1 5/2013 Chai  
 2014/0041301 A1 2/2014 Oakley  
 2014/0108107 A1 4/2014 Jones et al.  
 2014/0129158 A1 5/2014 Shea  
 2014/0210646 A1 7/2014 Subramanya  
 2014/0214499 A1 7/2014 Hudson et al.

2014/0214500 A1 7/2014 Hudson et al.  
 2014/0229246 A1 8/2014 Ghaffari  
 2014/0343891 A1 11/2014 Becker et al.  
 2015/0045984 A1 2/2015 Hui  
 2015/0106172 A1 4/2015 Salama  
 2015/0120336 A1 4/2015 Gropok et al.  
 2015/0191178 A1 7/2015 Roy  
 2015/0242605 A1 8/2015 Du  
 2015/0283902 A1 10/2015 Tuukkanen  
 2016/0001782 A1 1/2016 Fiedler  
 2016/0086397 A1 3/2016 Phillips  
 2017/0098339 A1 4/2017 Keller et al.  
 2017/0186054 A1 6/2017 Fish  
 2017/0197568 A1 7/2017 Decia  
 2017/0320501 A1 11/2017 Li  
 2017/0369071 A1 12/2017 Gould  
 2018/0018179 A1 1/2018 Scheufler  
 2018/0025549 A1 1/2018 King et al.  
 2018/0339708 A1 11/2018 Geller  
 2018/0342165 A1 11/2018 Sweeney et al.  
 2019/0062914 A1 2/2019 King et al.  
 2019/0066424 A1 2/2019 Hassani  
 2019/0220011 A1 7/2019 Della Penna  
 2019/0227954 A1 7/2019 Shi  
 2020/0160263 A1 5/2020 Kuettner  
 2020/0276503 A1 9/2020 Marchiorello  
 2020/0310528 A1 10/2020 Upmanue  
 2020/0334581 A1 10/2020 Skaling  
 2020/0349666 A1 11/2020 Hodge  
 2020/0364967 A1 11/2020 Spice

FOREIGN PATENT DOCUMENTS

EP 0329129 A2 8/1989  
 EP 1128350 B1 10/2007  
 IL 149880 A 6/2007  
 JP S5259000 A 5/1977  
 JP S58121494 A 7/1983  
 JP 4240927 B2 3/2009  
 WO WO-2009154787 A2 12/2009  
 WO WO-2010071972 A1 7/2010  
 WO WO-2014014494 A1 1/2014

OTHER PUBLICATIONS

Howland. How M2M Maximizes Denver's Revenue. Field TechnologiesOnline.com, Oct. 2011, pp. 9-12 [online] [retrieved Mar. 5, 2013], Retrieved from <http://www.fieldtechnologiesonline.com/doc.mvc/How-M2M-Maximizes-Denvers-Revenue-0001> (4 pgs).  
 IPS Group Inc.: Vehicle Detection Sensors, 6 pages [retrieved online Jan. 23, 2023] from Internet URL: <https://ipsgroupinc.com/vehicle-detection-sensors/> (2023).  
 Meter Solutions, Single-Space Meters brochure, downloaded from [www.duncansolutions.com](http://www.duncansolutions.com) website. (revised Apr. 2006) (2 pgs.).  
 PCT/US2010/047907 International Preliminary Report on Patent-ability dated Mar. 15, 2012.  
 PCT/US2010/047907 International Search Report dated Apr. 26, 2011.  
 PCT/US2012/048190 International Search Report dated Jan. 22, 2013.  
 Tung, Design of an advanced on-street parking meter. RIT Scholar Works. Thesis/Dissertation Collections (75 pgs.) (2001).

\* cited by examiner

Fig. 1

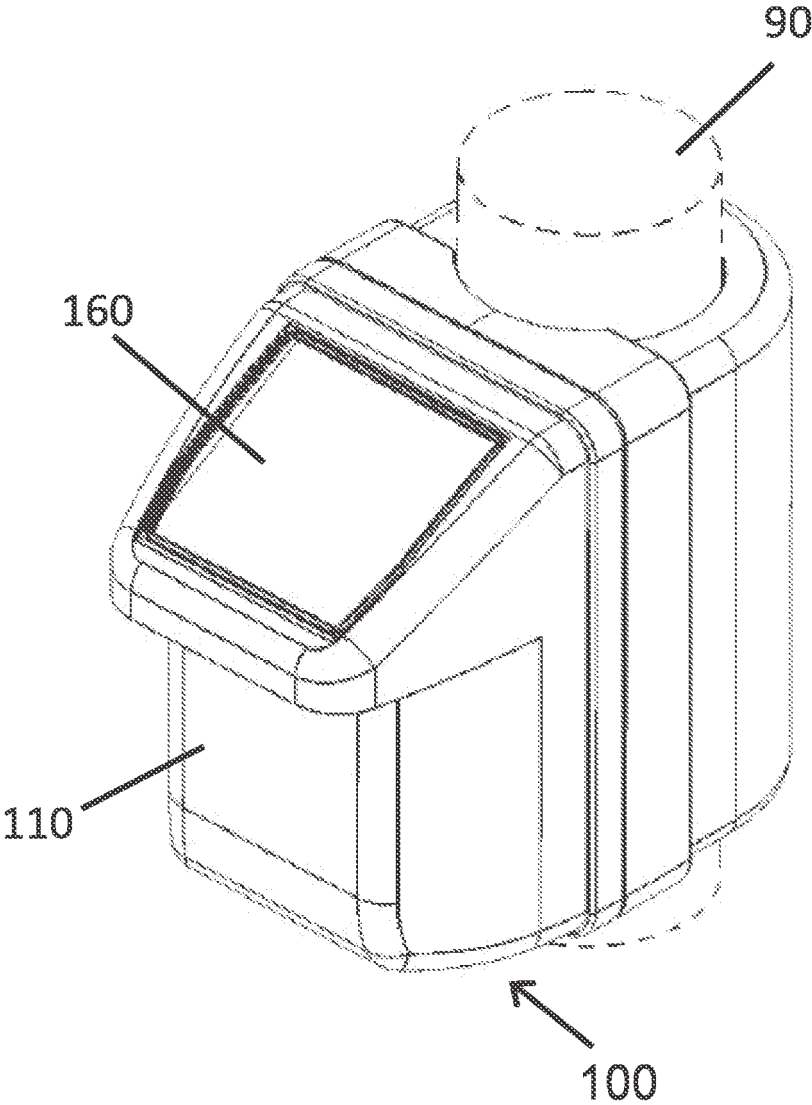


Fig. 2

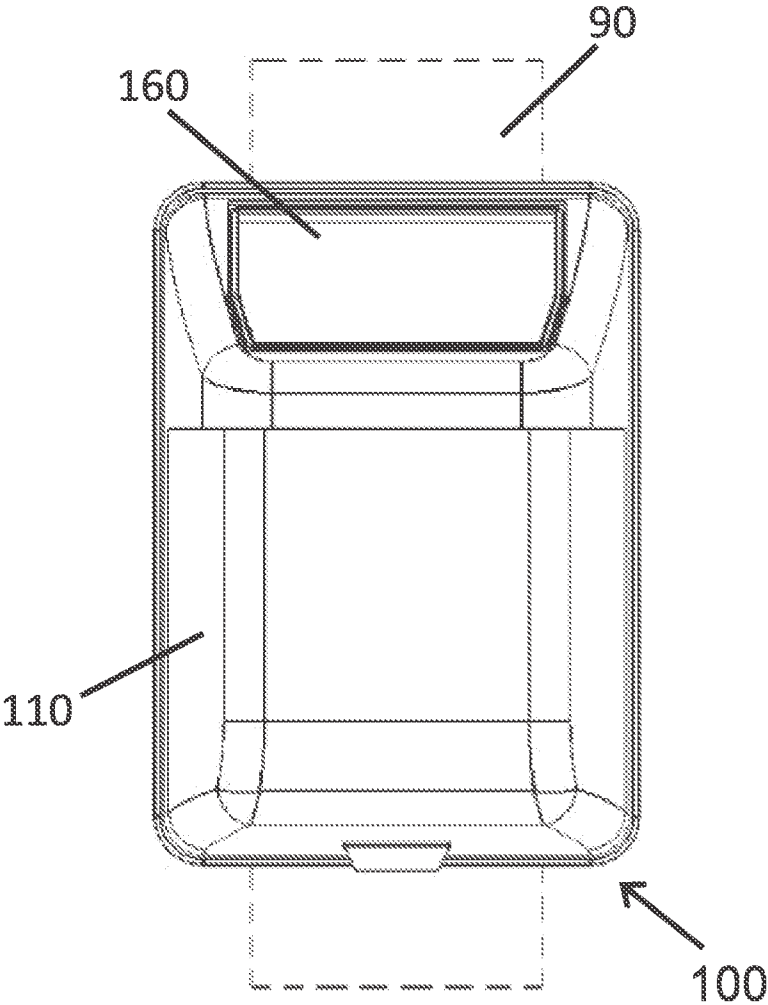


Fig. 3

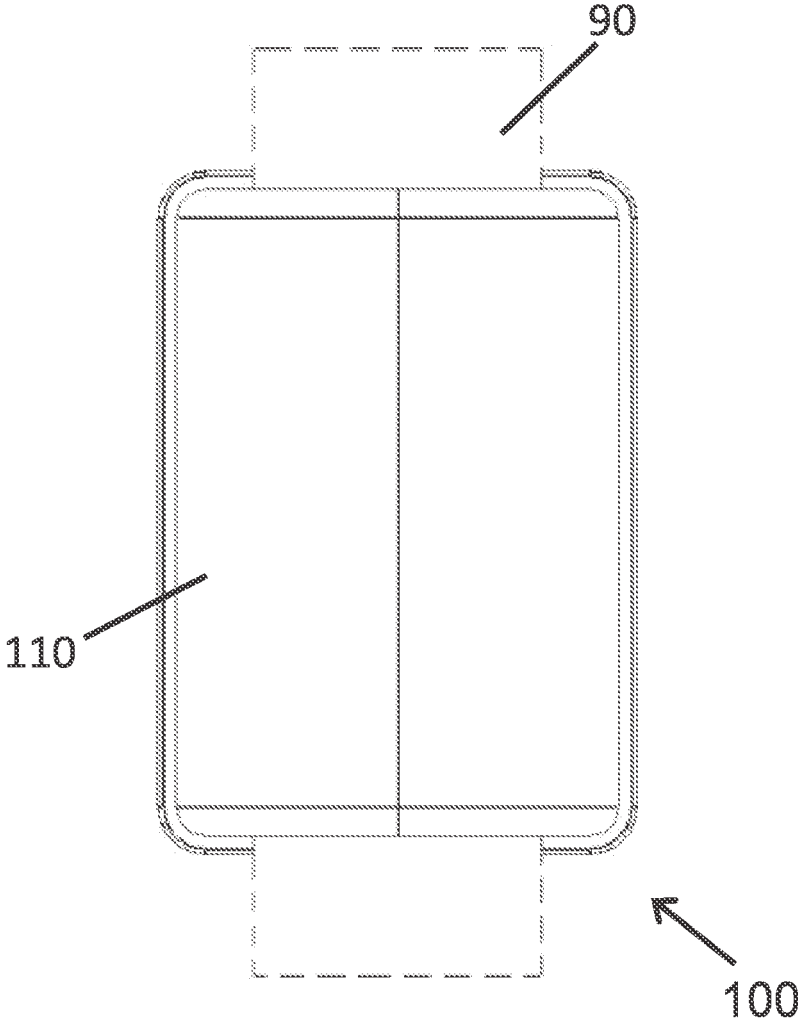


Fig. 4

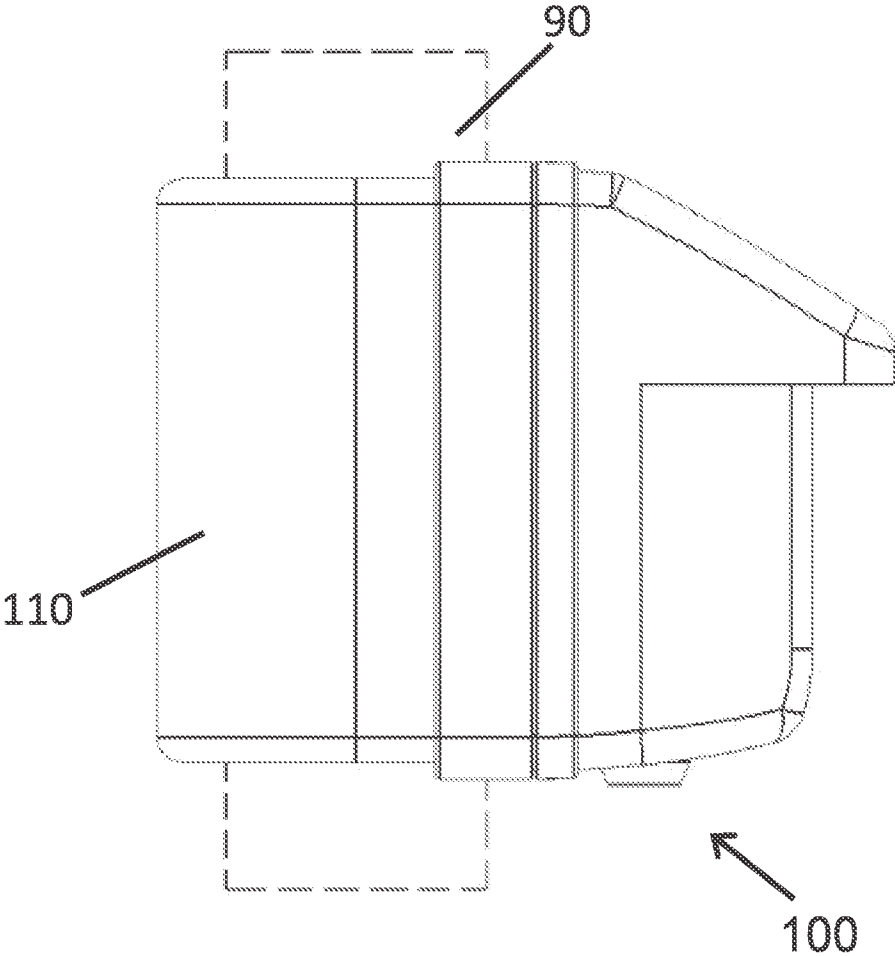


Fig. 5

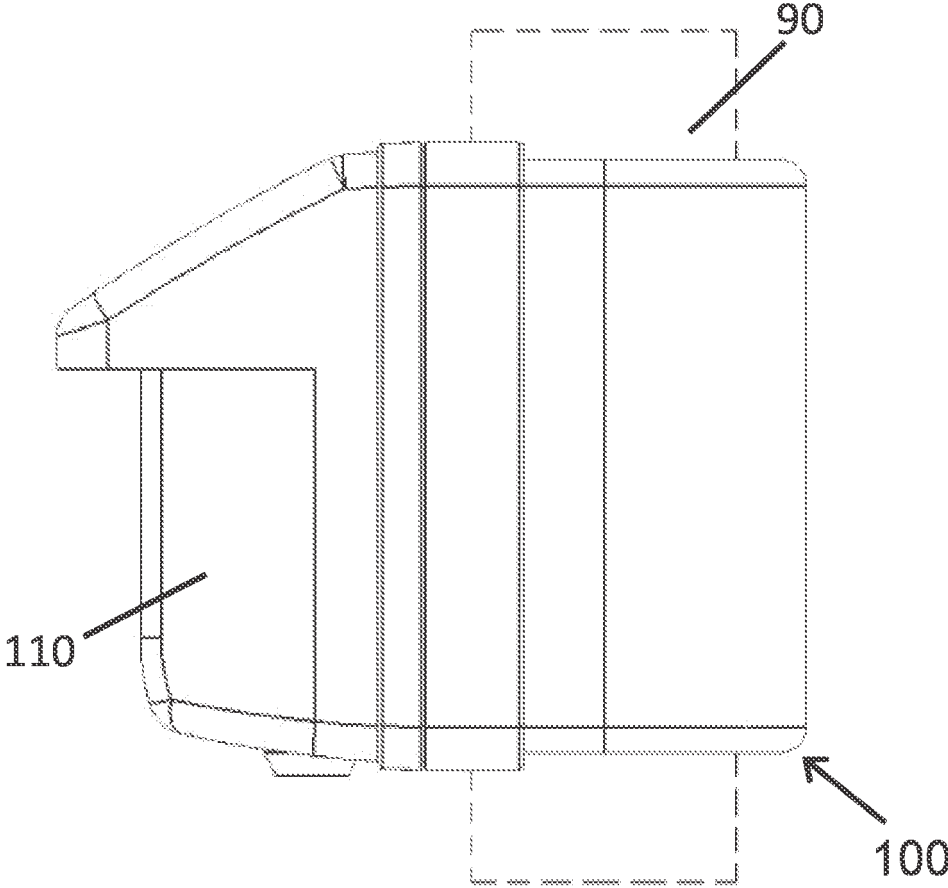




Fig. 6

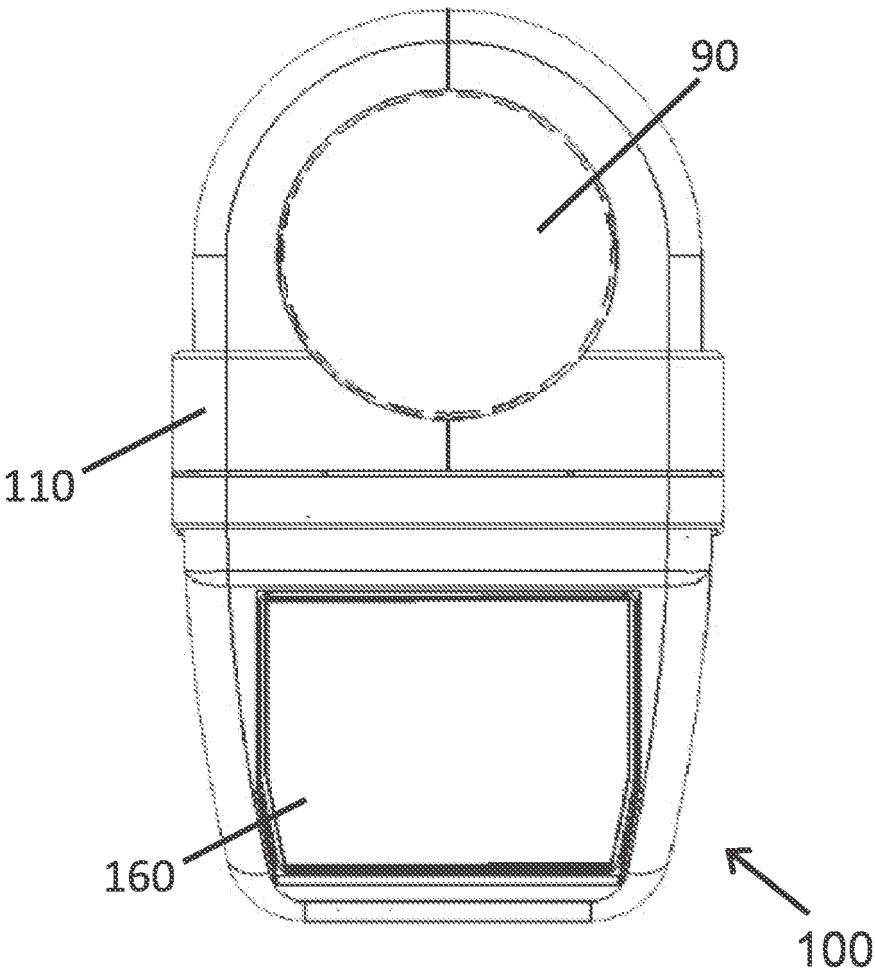


Fig. 7

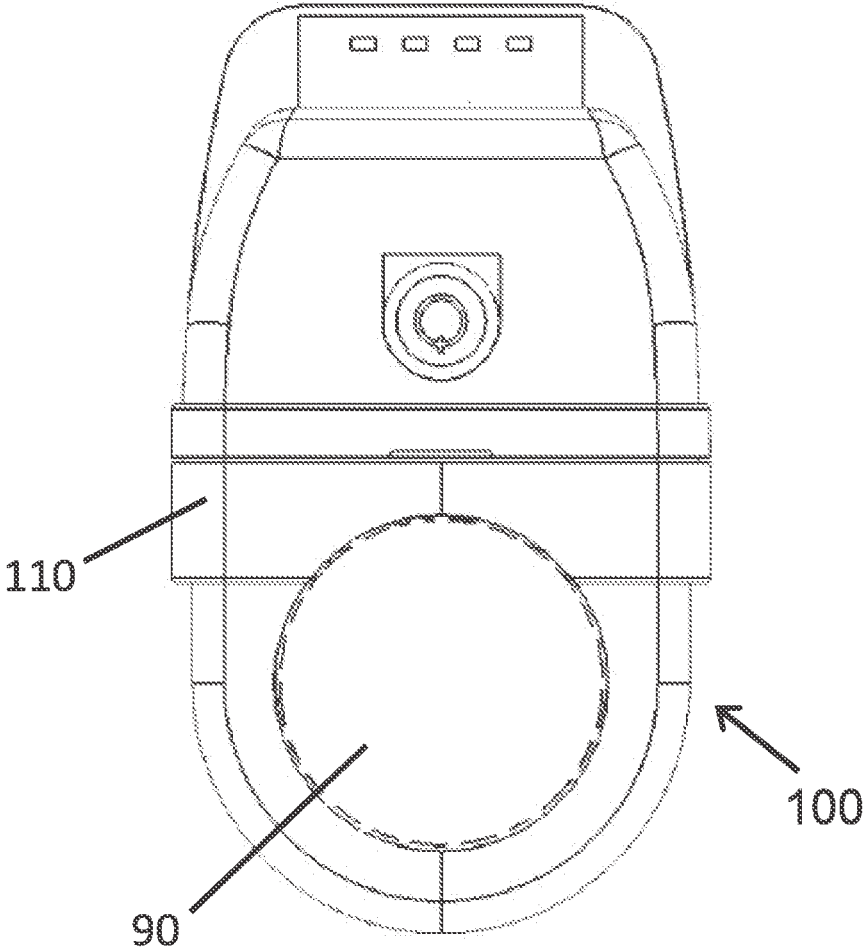


Fig. 8

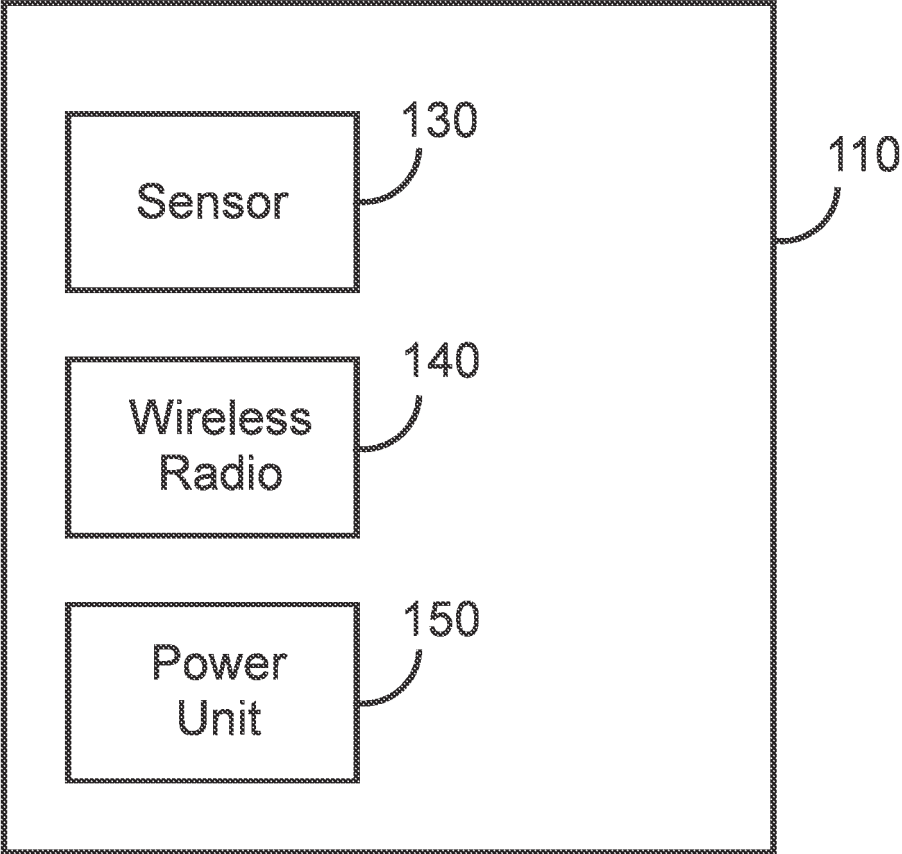


Fig. 9

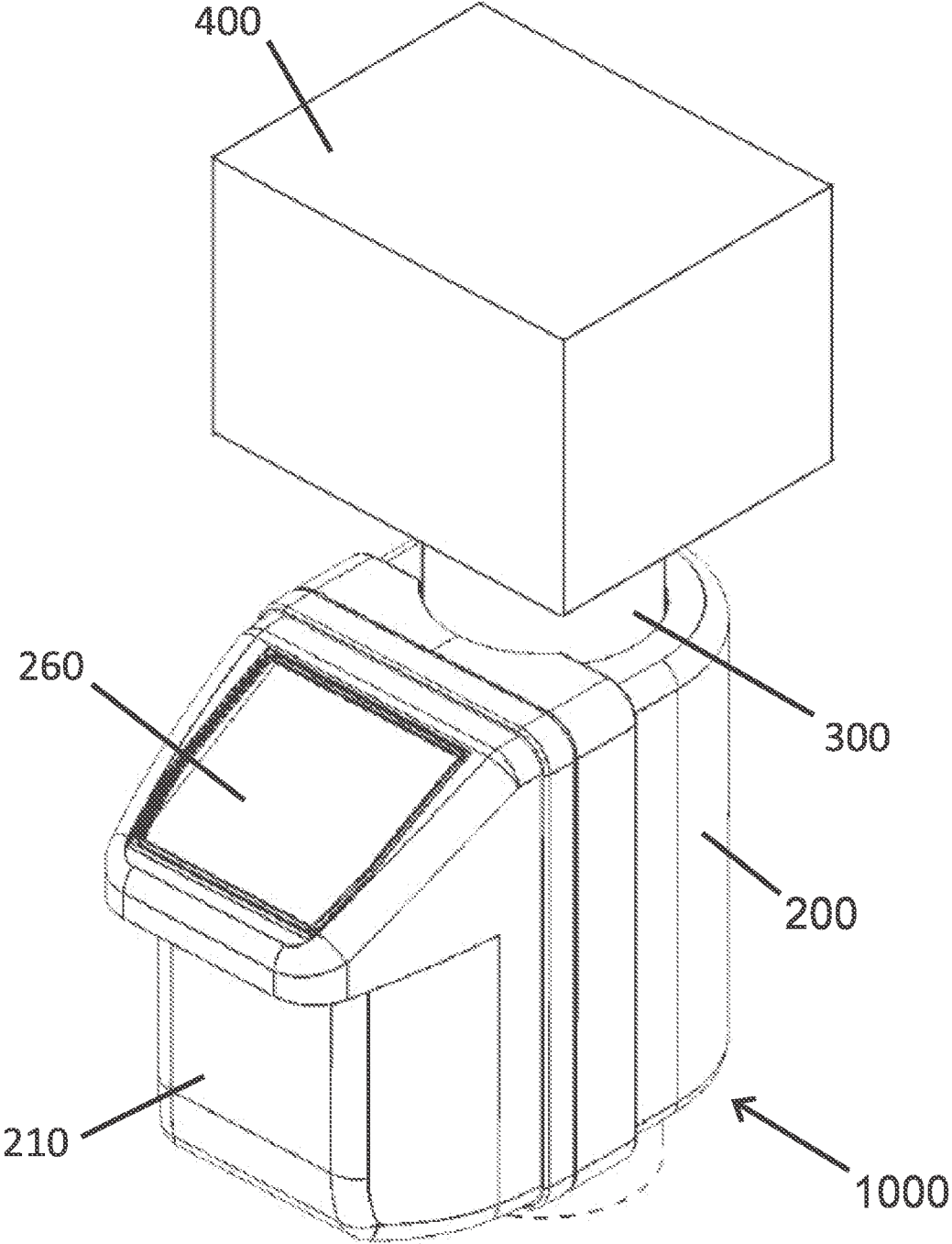
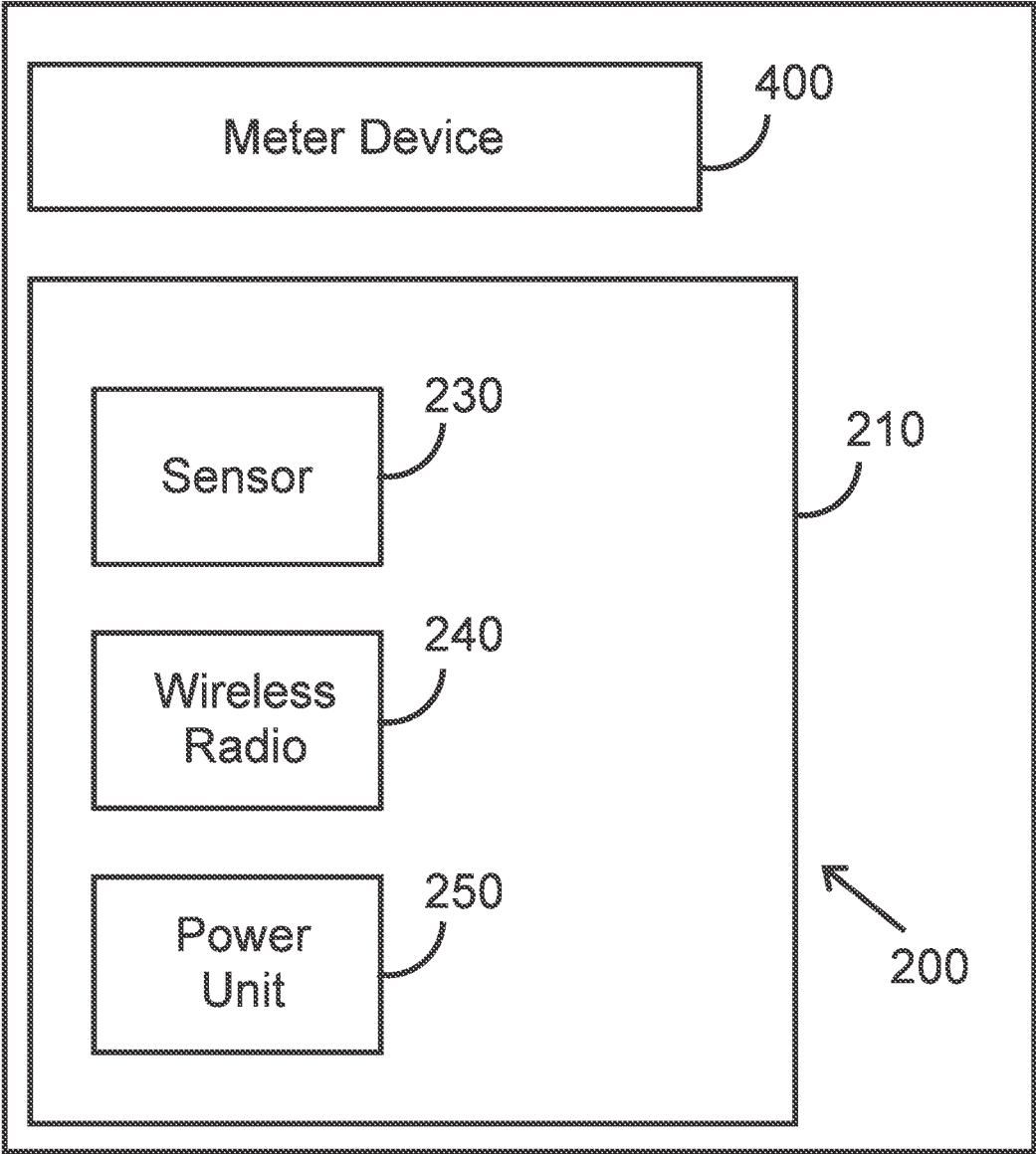


Fig. 10



# 1

## VEHICLE SENSOR

### CROSS-REFERENCE TO RELATED APPLICATIONS

This application is a continuation of U.S. application Ser. No. 17/497,505, filed on Oct. 8, 2021, now issued as U.S. Pat. No. 11,683,617 on Jun. 20, 2023, which is a continuation of U.S. application Ser. No. 16/852,180, filed on Apr. 17, 2020, now issued as U.S. Pat. No. 11,172,274 on Nov. 9, 2021, which is a continuation of U.S. application Ser. No. 16/661,960, filed on Oct. 23, 2019, now issued as U.S. Pat. No. 10,674,236 on Jun. 2, 2020, which is a continuation of U.S. application Ser. No. 16/373,328, filed Apr. 2, 2019, now issued as U.S. Pat. No. 10,491,972 on Nov. 26, 2019, which is a continuation of U.S. application Ser. No. 15/443,734, filed Feb. 27, 2017, now issued as U.S. Pat. No. 10,299,018 on May 21, 2019, which claims the benefit of U.S. Provisional Application No. 62/301,302, filed Feb. 29, 2016, the entire contents of each of which are hereby incorporated by reference in their entireties.

### BACKGROUND OF THE INVENTION

Sensors collecting environmental information and wireless communication capabilities improve the functionality of street parking meters. Parking meters including such technologies are able to offer higher levels of service to both consumers and municipalities. Parking meters with sensors collecting environmental information and wireless communication capabilities also offer enhanced ability to accommodate refined schemes of rates and time limits. Current practices adopted for replacing existing parking meters with technologically advanced upgraded versions involve labor intensive and expensive steps, such as coring of the asphalt surface of a street or sidewalk, replacement of all the internal components of an existing meter, or complete removal of an existing meter and installation of a new meter.

### SUMMARY OF THE INVENTION

The present invention provides a fast and convenient upgrade procedure to add environmental information collecting capability to an existing parking meter by requiring only the simple step of installing a new device, which comprises a sensor, onto an existing meter. In some embodiments, the housing of the device described herein is mounted to a pole supporting an existing meter, the housing defining an interior. In other embodiments, the housing of the device encloses a sensor, a wireless radio and a power unit. In further embodiments, the sensor collects environmental information pertaining to the local external environment of the existing meter. In some embodiments, the device described herein contains a wireless radio which transmits the environmental information collected by the sensor to the existing meter. In other embodiments, the wireless radio transmits the environmental information collected by the sensor to a remote server in communication with the existing meter. In some embodiments, the devices described herein are self-contained, having an independent power source and communications element. In further embodiments, the devices described herein do not require an electrical connection to an existing meter. For example, in some embodiments, the device is physically associated with an existing meter and optionally in wireless communication with the existing parking meter mechanism, but does not require a functional, wired, electrical connection to any component of

# 2

the existing meter. This feature facilitates rapid, low-cost upgrades, reduces operating and maintenance costs, and results in a more modular system that is easier to upgrade further in the future.

5 The devices described herein are compatible with, and can be retrofitted to, a wide range of existing meters. Further, the devices are designed such that the internal components, e.g., sensor, wireless radio transmitter, RF tag reader, solar cell battery, etc. are not visible at all from the outside, thereby protecting the parking meter against possible acts of vandalism. Parking meters fitted with the devices described herein can be serviced easily.

In some embodiments, the existing meter is a parking meter. In other embodiments, the sensor is a vehicle sensor. In some embodiments, the parking meter is a single space parking meter. In other embodiments, the parking meter is a multi-space parking meter.

In some embodiments, the environmental information comprises the presence and/or movement of a vehicle in a parking space associated with the existing meter. In other embodiments, the device comprises a housing. In further embodiments, the device comprises components needed to wirelessly engage with a unique RF tag that is affixed to the existing meter. In such embodiments, the device optionally obtains a unique location-specific identifier from the RF tag and transmits the identifier to a remote server where configuration information pertaining to local environments is collected and stored. In this way, the devices described herein provide a streamlined upgrade process whereby the housing of the device is mounted to a pole supporting an existing meter. The device obtains the associated identifier, and uses the identifier to request its intended configuration information and operating parameters from a remote server. In various embodiments, the remote server is a remote database hosted on a cloud system. In further embodiments, the device optionally obtains a unique location-specific identifier from the RF tag directly as a means to identify its location.

In one aspect, disclosed herein are devices comprising: a housing configured to mount to a pole supporting an existing meter, the housing defining an interior; a sensor within the interior of the housing, the sensor configured to collect environmental information pertaining to the local external environment of the existing meter; a wireless radio within the interior of the housing, the wireless radio configured to transmit the environmental information to the existing meter or to a remote server in communication with the existing meter; and a power unit within the interior of the housing, the power unit supplying power to the sensor and the wireless radio. In some embodiments, the existing meter is a parking meter and the sensor is a vehicle sensor. In further embodiments, the parking meter is a single space parking meter or a multi-space parking meter. In some embodiments, the environmental information comprises the presence and/or movement of a vehicle in a parking space associated with the existing meter. In some embodiments, the sensor utilizes radar, infrared light or ultrasonic waves. In a particular embodiment, the sensor is a radar. In further embodiments, the housing of the device comprises a material that is at least partially radar transparent. In various embodiments, the housing of the device comprises material that allows sunlight to pass through to a solar panel. In still further embodiments, the housing of the device comprises polycarbonate, ABS, or a combination thereof. In some embodiments, the sensor is mounted on a gimbal to facilitate positioning the sensor. In some embodiments, the radio is a wireless radio utilizes ISM-band, Wi-Fi, Bluetooth, or Zig-

Bee. In some embodiments, the device further comprises an RF reader located within the interior of the housing of the device and configured to receive a meter identification, a meter location, or a combination thereof, from a wireless tag associated with the existing meter. In other embodiments, the device comprises an RF reader within the interior of the housing of the device and is configured to receive a meter identification, a meter location, or a combination thereof, through a wired connection to the meter. In further embodiments, the wireless radio is further configured to transmit the meter identification in association with the environmental information. In some embodiments, the device is operationally self-sufficient, the sensor, the wireless radio, and the power unit being not electrically connected to the existing meter. In some embodiments, the device comprises a plurality of sensors within the interior of the housing. In further embodiments, at least one sensor is a camera. In some embodiments, the power unit comprises at least one rechargeable battery. In further embodiments, the device comprises at least one solar cell to recharge the at least one rechargeable battery.

In another aspect, disclosed herein are meters comprising: a pole; a meter device supported by the pole; a device comprising a housing defining an interior, the device configured to mount to the pole; a sensor within the interior of the housing, the sensor configured to collect environmental information pertaining to the local external environment of the meter; a wireless radio within the interior of the housing, the wireless radio configured to transmit the environmental information to the meter device or to a remote server in communication with the meter device; and a power unit within the interior of the housing, the power unit supplying power to the sensor and the wireless radio. In some embodiments, the meter is a parking meter and the sensor is a vehicle sensor. In other embodiments, the environmental information comprises the presence and/or movement of a vehicle in a parking space associated with the meter. In some embodiments, parking meter is a single space parking meter. In other embodiments, parking meter is a multi-space parking meter. In some embodiment, the sensor is a radar. In further embodiments, the housing of the device comprises a material that is at least partially radar transparent. In still further embodiments, the housing of the device comprises polycarbonate, ABS, or a combination thereof. In even further embodiments, the housing of the device comprises paint or shielding to further optimize RF signal detection, transmission, and reception. In some embodiments, the sensor is mounted on a gimbal to facilitate positioning the sensor. In some embodiments, the radio is a wireless radio utilizes ISM-band, Wi-Fi, Bluetooth, or ZigBee. In some embodiments, the device further comprises an RF reader within the housing of the device and configured to receive a meter identification, a meter location, or a combination thereof, from a wireless tag associated with the meter device. In further embodiments, the wireless radio is further configured to transmit the meter identification in association with the environmental information. In some embodiments, the device is operationally self-sufficient, the sensor, the wireless radio, and the power unit being not electrically connected to the meter device. In various embodiments, the operationally self-sufficient device is able to wirelessly communicate with a remote server independent of the meter device. In some embodiments, the device comprises a plurality of sensors within the interior of the housing. In further embodiments, at least one sensor is a camera. In some embodiments, the power unit comprises at least one rechargeable battery. In further embodiments, the device

comprises at least one solar cell to recharge the at least one rechargeable battery. In even further embodiments, the wireless radio transmitter can be used to communicate directly to a database, a user, an enforcement officer, or a maintenance technician. For example, the wireless radio can communicate information to a handheld device, e.g., a cellular device or its equivalent, to transmit various types of enforcement data (e.g., meter identification, meter location, vehicle identification, license plate information, vehicle registration information, citation history, data indicating issuance of a citation, data related to the type of citation issued, etc.) to parking enforcement personnel.

In another aspect, disclosed herein are methods of upgrading a meter comprising: affixing a device to a pole supporting an existing meter; provided that the device comprises: a housing defining an interior; a sensor within the interior of the housing, the sensor configured to collect environmental information pertaining to the local external environment of the existing meter; a wireless radio within the interior of the housing, the wireless radio configured to transmit the environmental information to the existing meter or to a remote server in communication with the existing meter; an RF reader within the interior of the housing, the RF reader configured to receive a meter identification from a wireless tag associated with the existing meter, the wireless radio further configured to transmit the meter identification in association with the environmental information; and a power unit within the interior of the housing, the power unit supplying power to the sensor, the wireless radio, and the RF reader; whereby the meter is upgraded. In some embodiments, the existing meter is not altered or replaced. In other embodiments, the existing meter is a parking meter, the sensor is a vehicle sensor, and the environmental information comprises the presence and/or movement of a vehicle in a parking space associated with the existing meter. In further embodiments, the sensor is a radar.

#### BRIEF DESCRIPTION OF THE DRAWINGS

The novel features of the invention are set forth with particularity in the appended claims. A better understanding of the features and advantages of the present invention will be obtained by reference to the following detailed description that sets forth illustrative embodiments, in which the principles of the invention are utilized, and the accompanying drawings of which:

FIG. 1 shows a non-limiting example of a device described herein; in this case, a top front perspective view of an exemplary device mounted on a pole;

FIG. 2 shows a non-limiting example of a device described herein; in this case, a front view of an exemplary device mounted on a pole;

FIG. 3 shows a non-limiting example of a device described herein; in this case, a rear view of an exemplary device mounted on a pole;

FIG. 4 shows a non-limiting example of a device described herein; in this case, a left side view of an exemplary device mounted on a pole;

FIG. 5 shows a non-limiting example of a device described herein; in this case, a right side view of an exemplary device mounted on a pole;

FIG. 6 shows a non-limiting example of a device described herein; in this case, a top view of an exemplary device mounted on a pole;

FIG. 7 shows a non-limiting example of a device described herein; in this case, a bottom view of an exemplary device mounted on a pole;

5

FIG. 8 shows a functional block diagram of the device of FIG. 1;

FIG. 9 shows a non-limiting example of a meter described herein; in this case, a top front perspective view of an exemplary meter that comprises a meter device, a device and a pole; and

FIG. 10 shows a functional block diagram of the meter of FIG. 9.

#### DETAILED DESCRIPTION OF THE INVENTION

Traditional street parking meters are in the process of being phased out and replaced by meters that are enabled to accept modern methods of payments, e.g., credit cards, debit cards, smart cards, pay-by-phone, etc. Replacement and installation of an entirely new unit is costly for cities, municipalities, or other authorities in charge of street parking meters, thereby causing eventual increase in parking rates to recover the cost of purchase and installation. Moreover, replacement and installation of an entirely new unit creates electronic waste. The device described in the present invention, offers a cost effective and environmentally-friendly solution to the problem. The housing of the device of the present invention can be easily fitted to mount to the poles supporting existing street parking meters, even those parking meters that have previously been upgraded by replacing the internal meter mechanism. In contrast, installations of sensors in existing street meters typically involve excessive road work, drilling, and infrastructure modifications on street lights, utility poles, and underground wiring. The addition of the device described herein to existing parking meters by mounting the housing of the device to the poles of existing parking meters reduces waste, is easier to install, and is less expensive to maintain.

In certain embodiments, the device of the present invention is completely solar powered. Street parking meters that are upgraded using a solar powered device described herein do not need batteries to operate. This feature reduces the potential hike in operating cost of the street parking meters that are upgraded with the device described herein. In other embodiments, the sensor within the interior of the housing of the device is completely battery powered, completely wire powered, and/or optionally solar powered.

In certain embodiments, the housing of the device of the present invention defines an interior. The interior of the housing is equipped with one or more sensors configured to collect environmental information pertaining to the local external environment of the existing parking meter, and a wireless radio transmitter configured to transmit the collected environmental information either to the existing parking meter or to a remote server in communication with the existing parking meter. In certain embodiments, a sensor detects vehicles within the local environment of the parking meter on which the housing is mounted. In certain embodiments, a wireless radio transmitter communicates, directly or indirectly, with a remote management or maintenance server. In certain embodiments, the interior of the housing is also equipped with an RF tag reader. The RF tag reader can be used to read a wireless RF tag located on the base of an existing parking meter, and acquire information regarding the local environment. Information about the local environment can then be communicated, via a wireless radio transmitter, also housed within the housing, to a remote management or maintenance server. This allows immediate communication between the upgraded parking meter and the remote maintenance or management server. In this way, the

6

housing of the device containing the sensor, RF tag reader, and wireless radio transmitter can communicate with a remote management or maintenance server and configure itself directly, independent of the device.

Described herein, in certain embodiments, are devices comprising: a device configured to mount to a pole supporting an existing meter, the housing of the device engageable with the pole of the existing meter defining an interior; a sensor within the interior of the housing, the sensor configured to collect environmental information pertaining to the local external environment of the existing meter; a wireless radio within the interior of the housing, the wireless radio configured to transmit the environmental information to the existing meter or to a remote server in communication with the existing meter; and a power unit within the interior of the housing, the power unit supplying power to the sensor and the wireless radio.

Also described herein, in certain embodiments, are meters comprising: a pole; a meter device supported by the pole; a device comprising a housing defining an interior, the device configured to mount to the pole; a sensor within the interior of the housing, the sensor configured to collect environmental information pertaining to the local external environment of the meter; a wireless radio within the interior of the housing, the wireless radio configured to transmit the environmental information to the meter device or to a remote server in communication with the meter device; and a power unit within the interior of the housing, the power unit supplying power to the sensor and the wireless radio.

Also described herein, in certain embodiments, are methods of upgrading a meter comprising: affixing a device to a pole supporting an existing meter; provided that the device comprises: a housing defining an interior; a sensor within the interior of the housing, the sensor configured to collect environmental information pertaining to the local external environment of the existing meter; a wireless radio within the interior of the housing, the wireless radio configured to transmit the environmental information to the existing meter or to a remote server in communication with the existing meter; an RF reader within the interior of the housing, the RF reader configured to receive a meter identification from a wireless tag associated with the existing meter, the wireless radio further configured to transmit the meter identification in association with the environmental information; and a power unit within the interior of the housing, the power unit supplying power to the sensor, the wireless radio, and the RF reader; whereby the meter is upgraded.

The components of the device and methods for carrying out meter upgrade using the device are described in detail in the subsequent sections.

#### Certain Definitions

Unless otherwise defined, all technical terms used herein have the same meaning as commonly understood by one of ordinary skill in the art to which this invention belongs. As used in this specification and the appended claims, the singular forms "a," "an," and "the" include plural references unless the context clearly dictates otherwise. Any reference to "or" herein is intended to encompass "and/or" unless otherwise stated.

#### Device Housing

In certain embodiments, existing parking meters are fitted with a device **100** of the present invention. The housing **110** of the device **100** is configured to mount to a pole **90** of an existing meter. The housing **110** of the device **100** comprises a screen **160**. The screen **160** may be a display screen or a



solar panel. If the device **100** comprises both a display screen and a solar panel, two screens **160** are allowed on the housing **110**. The location of the screen **160** can be determined based on the use of the screen **160**. The device **100** further comprises a sensor **130**, a wireless radio **140** and a power unit **150**, all of which are enclosed in the interior of the housing **110**. The sensor **130** may be stationary or may change its orientation or direction within the interior of the housing **110**.

In some embodiments, the housing of the device is at least partially made of a strong material that is resistant to theft, weather, and vandalism. Examples of materials suitable for housings include various metals, such as stainless steel, and the like. In further embodiments, the housing of the device is at least partially made of a material that is at least partially transparent to radar, ultrasonic, infrared, or microwaves. Examples of transparent materials for housings include polycarbonate, ABS, or combinations thereof.

Referring to FIG. 1, in a particular embodiment, a device **100** of the present invention, shown in a perspective view, comprises a housing **110** which is configured to mount to a pole **90** supporting an existing meter. It should be noted that the pole **90** is shown in FIG. 1 as dotted lines to indicate that the pole **90**, in some embodiments, is not part of the device **100** of the present invention. The interior of the housing **110** optionally houses components comprising environmental sensors, batteries, RFID tag readers, wireless radio transmitters, or a combination thereof. The housing **110** optionally has a solar panel. The housing **110** further comprises a screen **160**. In one embodiment, the screen **160** is a display screen. In another embodiment, the screen **160** is a solar panel. The housing **110** may comprise more than one screen **160**.

Turning now to FIG. 2, in another embodiment, a device **100** of the present invention, shown in a front view, comprises a housing **110** which is configured to mount to a pole **90** supporting an existing meter. The interior of the housing **110** optionally houses components comprising environmental sensors, batteries, RFID tag readers, wireless radio transmitters, or a combination thereof. The housing **110** optionally has a solar panel. The housing **110** further comprises a screen **160**. In one embodiment, the screen **160** is a display screen. In another embodiment, the screen **160** is a solar panel. In still another embodiment, the screen **160** is a touchscreen to allow input of information by the user.

Referring now to FIG. 3, in a particular embodiment, a device **100** of the present invention, shown in a back view, comprises a housing **110** which is configured to mount to a pole **90** supporting an existing meter. The interior of the housing **110** optionally houses components comprising environmental sensors, batteries, RFID tag readers, wireless radio transmitters, or a combination thereof. The housing **110** optionally has a solar panel.

Turning now to FIG. 4, in another embodiment, a device **100** of the present invention, shown in a left view, comprises a housing **110** which is configured to mount to a pole **90** supporting an existing meter. The interior of the housing **110** optionally houses components comprising environmental sensors, batteries, RFID tag readers, wireless radio transmitters, or a combination thereof. The housing **110** optionally has a solar panel.

Referring now to FIG. 5, in a particular embodiment, a device **100** of the present invention, shown in a right view, comprises a housing **110** which is configured to mount to a pole **90** supporting an existing meter. The interior of the housing **110** optionally houses components comprising environmental sensors, batteries, RFID tag readers, wireless

radio transmitters, or a combination thereof. The housing **110** optionally has a solar panel.

Turning now to FIG. 6, in another embodiment, a device **100** of the present invention, shown in a top view, comprises a housing **110** which is configured to mount to a pole **90** supporting an existing meter. The interior of the housing **110** optionally houses components comprising environmental sensors, batteries, RFID tag readers, wireless radio transmitters, or a combination thereof. The housing **110** optionally has a solar panel. The housing **110** further comprises a screen **160**. In one embodiment, the screen **160** is a display screen. In another embodiment, the screen **160** is a solar panel. In still another embodiment, the screen **160** is a touchscreen to allow input of information by the user.

Referring now to FIG. 7, in a particular embodiment, a device **100** of the present invention, shown in a bottom view, comprises a housing **110** which is configured to mount to a pole **90** supporting an existing meter. The interior of the housing **110** optionally houses components comprising environmental sensors, batteries, RFID tag readers, wireless radio transmitters, or a combination thereof. The housing **110** optionally has a solar panel. The housing **110** further comprises a screen **160**. In one embodiment, the screen **160** is a display screen. In another embodiment, the screen **160** is a solar panel. In still another embodiment, the screen **160** is a touchscreen to allow input of information by the user. In addition, the housing **110** optionally has a plurality of button for the user to input information or select choices display on screen **160**.

Referring to FIG. 8, in a particular embodiment, the functional block diagram of a device **100** that can be used in FIGS. 1-7 is shown. The device **100** includes a housing **110** which encloses a sensor **130**, a wireless radio **140** and a power unit **150**. The power unit **150** powers both the sensor **130** and the wireless radio **140**. The housing **110** is configured to engage and lock into a variety of different meter poles.

Tuning now to FIGS. 9-10, in a particular embodiment, a meter **1000** of the present invention comprises a meter device **400** supported by a pole **300**, and a device **200** mounted to the pole **300**. The device **200** comprises a housing **210** which is configured to mount to a pole **300** supporting the meter device **400**. The interior of the housing **210** optionally houses components comprising environmental sensors, batteries, RFID tag readers, wireless radio transmitters, or a combination thereof. In some embodiments, the housing **210** comprises one or more radio-transparent and/or radar transparent surfaces. In some embodiments, the housing **210** comprises a solar panel **260**. In some embodiments, the housing **210** comprises one solar panel. In other embodiments, the housing **210** comprises a plurality of solar panels, such as 2, 3, 4, 5, 6, 7, 8 or more solar panels. In some embodiments, the housing **210** comprises a display screen to communicate messages to, for example, parking enforcement officers, maintenance workers, and/or consumers. In some embodiments, the device **200** is not wired to the meter device **400**. In further embodiments, the device **200** communicates wirelessly with the meter device **400** via an RFID tag reader or a wireless radio transmitter enclosed in the housing **210**. Such an arrangement allows upgrade of an existing meter without alteration, or even accessing, the meter itself. In other embodiments, the device **200** is wired to the meter device **400**.

Referring to FIG. 10, in a particular embodiment, the functional block diagram of a meter **1000** that can be used in FIG. 9 is shown. The meter **1000** comprises a meter device **400** and a device **200**. The device **200** includes a

housing 210 which encloses a sensor 230, a wireless radio 240 and a power unit 250. In one embodiment, the device 200 is wired to the meter device 400 and communicates with the meter device 400 using the wired connections. In another embodiment, the device 200 is not wired to the meter device 400 and the device 200 communicates wirelessly with the meter device 400 via the wireless radio 240 or an RFID tag reader enclosed in the housing 210. The power unit 250 powers both the sensor 230 and the wireless radio 240. Both the meter device 400 and the housing 210 are configured to engage a pole 300. In some embodiments, the device is configured to reversibly engage the pole at about the level of a vehicle in the associated parking space.

#### Sensors

In certain embodiments, the housing of the device encloses one or more sensors. In some embodiments, the sensor is an environmental sensor. In various embodiments, the housing of the device suitably encloses 1, 2, 3, 4, 5, 6, 7, 8, 9, 10 or more environmental sensors. In some embodiments, a suitable environmental sensor is any sensor that is capable of emitting a signal and detecting the signal when it is reflected back from the surface of a vehicle that moves into a single parking space or multiple parking spaces situated to the left and right of the parking meter. Examples of suitable environmental sensors include, by way of non-limiting examples, radar, low power/broad spectrum radar, time of flight sensors, ranging sensors, magnetic sensors, magnetic-flux sensors, non-intrusive sensors, capacitance sensors, proximity sensors, ultrasonic sensors, infrared sensors, microwave sensors, and the like. In other embodiments, the environmental sensor is a mass sensor, e.g., a magnetometer. In some embodiments, the environmental sensor detects the presence of a Bluetooth device, including a cell phone and smart phone. In a particular embodiment, the sensor is a vehicle sensor.

In some embodiments, a suitable environmental sensor is any sensor that is capable of making a qualitative assessment or a quantitative measurement of a physical or chemical aspect of the area immediately surrounding the meter. Examples of suitable environmental sensors include, by way of non-limiting examples, those that detect or measure atmospheric pressure, humidity, wind speed, wind direction, precipitation, flooding, seismic activity, light, UV index, and/or temperature. In other embodiments, the environmental sensor detects sound, chemicals, including gaseous chemicals or liquid chemicals or solid chemicals, or images. In some embodiments, the environmental sensor transmits information, such as detected chemicals, via a wireless radio of the device. In some embodiments, the environmental sensor is wirelessly connected to a network in order to communicate detection data to one or more remote servers or to a cloud computing system or service, to receive instructions or commands, and to send out instructions or commands. In other embodiments, the environmental sensor is self-powered by a battery. In some embodiments, the environmental sensor is wirelessly charged. In other embodiments, the environmental sensor is wired to and powered by a power source. In some embodiments, the environmental sensor has a wired connection to an external power source, such as a powered DC or a powered meter mounted above, below or besides the environmental sensor. In some embodiments, the environmental sensor reads an RFID tag. In other embodiments, then the environmental sensor reads an RFID tag, the environmental sensor determines configuration information associated with the sensor and recalibrates itself accordingly. In some embodiments, the configuration information associated with the environ-

mental sensor includes operation parameters affecting the operation of the environmental sensor, maintenance record of the environmental sensor, and record of data reporting, etc.

Further examples of suitable environmental sensors include, by way of non-limiting examples, those that detect or measure air particulates, air pollution, and/or water pollution. In various embodiments, suitable air pollution sensors include those that detect or measure pathogens, sulfur oxides (SO<sub>x</sub>), nitrogen oxides (NO<sub>x</sub>), greenhouse gases, carbon monoxide (CO), carbon dioxide (CO<sub>2</sub>), methane, volatile organic compounds (VOCs), toxic metals (such as lead and mercury), chlorofluorocarbons (CFCs), ammonia (NH<sub>3</sub>), ground level ozone (O<sub>3</sub>), and/or peroxyacetyl nitrate (PAN). In various embodiments, suitable water pollution sensors include those that detect or measure detergents, insecticides, pathogens, hydrocarbons, VOCs, chlorinated solvents, perchlorate, fertilizers, and heavy metals.

Further examples of suitable environmental sensors include, by way of non-limiting examples, those that detect or measure chemical agents, biological agents, natural gas, radiation, and/or electromagnetic energy. In a particular embodiment, at least one sensor is a camera. In further particular embodiments, a camera images one or more parking spaces associated with the meter. Further examples of suitable environmental sensors include, by way of non-limiting examples, those that detect or measure sound.

In some embodiments, sensors in device housings are installed on a plurality of meters throughout a municipality. In further embodiments, the sensor-enabled meters have communication capability and form a sensor network by transmitting environmental information from a range of territory within the municipality to a central management server. By forming a sensor network, the upgraded meters allow officials of the municipality to monitor the environment on an ongoing basis or in an emergency. By way of example, a sensor network is optionally used to monitor point sources of air pollution within the municipality on a continual basis. By way of further example, a sensor network is optionally used to monitor spread of radiation within the municipality during an act of war or terrorism. By way of further example, a sensor network is optionally used to determine the location of gunshots fired within a municipality. By way of further example, a sensor network is optionally used to monitor flooding within the municipality in an extreme weather event.

In certain embodiments, an environmental sensor is housed within either the left side or the right of, either the top portion or the lower portion of, either the front or the back of the housing of the device when the device is facing the user or the parking space associated with the parking meter. In certain embodiments, the sensor is mounted on a pivoted support that allows the rotation of an object about a single axis, e.g., a gimbal. This feature facilitates the positioning of the sensor in multiple angles, depending on the relative position of the parking meter and the one or more parking spaces that the meter is intended to monitor. In some embodiments, the sensor is adjustable horizontally (angle) and/or vertically (tilt). In some embodiments, when more than one sensor is enclosed within the housing of the device, the sensors can move in sync with each other, in the same direction or orientation. In other embodiments, when more than one sensor is enclosed within the housing of the device, a sensor can move independently with regard to another sensor.

## Wireless Radio

In some embodiments, the housing of the device does not include a wireless radio transmitter/receiver, but rather communicates (via wired or wireless connection) with the meter device, which does include a wireless radio transmitter/receiver. In such embodiments, the housing of the device utilizes the wireless radio of the meter device for longer-range communication. In some embodiments, the wireless radio communicates with a meter above, below, or beside the device comprising the wireless radio. In other embodiments, the wireless radio is wired to and connected with a meter above, below, or besides the device comprising the wireless radio. In some embodiments, the wireless radio detects signals from other wireless device nearby, such as, for example, a Bluetooth device held by an officer, and communicates with the detected wireless device when authorized. In some embodiments, when a dangerous level of a chemical is detected by the environmental sensor of the device, the wireless radio can search for and detect a wireless device, such as, for example, a Bluetooth device held by a parking enforcement officer or a police officer on patrol, and send emergency information to the Bluetooth device to alert the authority. In other embodiments, a wireless device, such as, for example, a Bluetooth device held by a parking enforcement officer or a police officer on patrol, can send emergency information, such as a fire alert, to the wireless radio of the device. After receiving such emergency information, the device can display received information on a display screen of the device to alert user of the device of the emergency.

In some embodiments, the housing of the device encloses a wireless radio transmitter/receiver. The wireless radio can be any equipment known in the art that is capable of receiving and/or transmitting radio waves, using any methods. For example, the wireless radio transmitter and receiver can be any equipment that can transmit and receive radio waves in any known fashion using any known data protocol, many of which are well known in the art, without departing from the scope of this invention.

The wireless radio transmitter suitably utilizes ISM band, Wi-Fi, Bluetooth, ZigBee, iBeacon, cellular (e.g., GSM, GPRS, EDGE, 2G, 2.5G, 3G, 4G, 5G, etc.), IEEE 802.15, WiMAX, or the like, to transmit information. The wireless radio transmitter is optionally used to communicate information collected from, for example, one or more sensors, the meter mechanism, or one or more RFID tags, to a remote server. The wireless radio transmitter is also optionally used to communicate internal information such as maintenance and error reporting messages, to one or more remote servers or a cloud computing system. The wireless radio transmitter is optionally used to communicate information to the meter mechanism, to one or more RFID tags (including memory) associated with the meter, to one or more remote servers, to a cloud computing system, to one or more parking enforcement officers, and/or to a meter maintenance technician.

In some embodiments, the wireless radio communicates to the meter or a remote server by relaying information through another object. For example, the object is, by way of non-limiting examples, another meter device, a vehicle, a consumer device, a mobile phone, a smartwatch, a camera, a computer, a laptop, an electronic notepad, or a PDA. In various embodiments, the wireless radio communicates directly to a database, a user, an enforcement officer, or a maintenance technician.

## RF Tag-based Configuration and Binding

In some embodiments, an RFID reader is within the interior of the housing of the device. In some embodiments,

the electronic components within the housing of the device obtain configuration information by reading an RFID tag associated with an existing meter or a meter device to obtain a unique ID, which is associated with a unique physical location in a remote database.

In some embodiments, the device, while comprising an RFID reader, will read an RFID tag associated with the meter or meter device to obtain a unique ID and use the ID to determine if the meter location is configured in the database to have a sensor. In further embodiments, if the meter location is configured in the database to have a sensor, the housing of the device downloads configuration information from a remote management system. This enables the housing of the device and sensor within to be changed and update automatically to communicate wirelessly with the existing meter or the meter device in place.

In other embodiments, the housing of the device does not include an RFID reader, but rather the electronic components within the housing of the device communicate via wired or wireless connection to the meter device which does include an RFID reader. In such embodiments, the RFID reader of the meter device reads an RFID tag associated with the meter to obtain a unique ID, which is associated with a unique physical location in a remote database, and passes that information on to the housing of the device.

In further embodiments, the meter device, including an RFID reader, will read an RFID tag associated with the meter to obtain a unique ID and use the ID to determine if the meter location is configured in the database to have a sensor. In further embodiments, if the meter location is configured in the database to have a sensor, the meter device downloads from a remote management system a binding code enabling the meter to wirelessly connect to, and wirelessly communicate with that sensor. This enables the meter mechanism to be changed and update automatically to communicate wirelessly with the sensor in place.

In some embodiments, sensor configurable parameters, testing, and feedback information are optionally displayed on the meter display or on a wireless handheld device of a user (smart phone, smart watch, etc.). The parameters, testing, and feedback information is useful used during initial setup and diagnostics. In fact, when the sensor detects a vehicle, in some embodiments, the sensor triggers an icon or other visual indicator to appear on the meter display in order to confirm that it is detecting properly.

## Power Unit

In some embodiments, one or more power units are within the interior of the housing. The power unit can be any device that is capable of supplying power for operating the electronic components within the housing of the device. Suitable power units include rechargeable or non-rechargeable batteries, capacitors, ultracapacitors, and the like, including combinations thereof. In various embodiments, suitable batteries include primary batteries, secondary batteries, wet cell batteries, dry cell batteries, reserve batteries, including combinations thereof. In further various embodiments, suitable batteries include, lithium, Li-ion rechargeable, alkaline, carbon-zinc, Li—FeS<sub>2</sub>, NiMH, NiCd, NiOOH, including combinations thereof.

In some embodiments, the one or more sensors are powered solely by batteries.

In various embodiments, one or more power units are configured to enter power saving mode, wherein the one or more power units discharge less power and the meter disables some electronic components after a preset idle time.

13

In other embodiments, the housing of the device includes one or more solar panels configured to charge one or more rechargeable batteries.

#### Methods for Meter Upgrades Using Device

Described herein, in certain embodiments, are methods of upgrading a meter comprising: affixing a device to a pole supporting an existing meter; provided that the device comprises: a housing defining an interior; a sensor within the interior of the housing, the sensor configured to collect environmental information pertaining to the local external environment of the existing meter; a wireless radio within the interior of the housing, the wireless radio configured to transmit the environmental information to the existing meter or to a remote server in communication with the existing meter; an RF reader within the interior of the housing, the RF reader configured to receive a meter identification from a wireless tag associated with the existing meter, the wireless radio further configured to transmit the meter identification in association with the environmental information; and a power unit within the interior of the housing, the power unit supplying power to the sensor, the wireless radio, and the RF reader; whereby the meter is upgraded (e.g., retrofit to confer vehicle detection capability). In some embodiments, the existing meter is not altered or replaced. In other embodiments, the existing meter is a parking meter, the sensor is a vehicle sensor, and the environmental information comprises the presence of a vehicle in a parking space associated with the existing meter. In further embodiments, the sensor is a radar.

The meter upgrade methods described herein generate minimal waste, reduce material and labor costs, and can be complete more quickly than current methods. Importantly, the meter upgrade methods described herein allow convenient operation by simply attach a device of the present invention to the pole of an existing parking meter. The exact location of the attachment varies according to factors such as the original setup of the existing meter and the orientation of the pole to the associated parking space. While upgrading an existing meter, the device of the present invention can be placed above, below or on the side of an existing meter depending on the location and conditions of the pole, and the configurations of the existing meter.

#### Applications Enabled by Upgraded Device Housings

The meters upgraded with the device described in the present invention are optionally used for multiple applications, as described herein. In certain embodiments, the housings of the device described herein comprise a payment accepting unit which is positioned within the housing. In further embodiments, a meter retrofitted with the device can accept payment, in various forms, e.g., Credit Cards, Debit Cards, Smart Parking Cards, Proximity Cards (Paywave™, PaypassCash™) NFC Solutions such as Google Wallet™, bills, or coins, via the payment accepting unit of the housing. In particular embodiments, the devices described herein comprise a wireless payment accepting unit which is positioned on one side of the housing. In further embodiments, the wireless payment accepting unit enables a meter retrofitted with the housing of the device to accept payment via Proximity Cards (Paywave™, PaypassCash™) or NFC Solutions such as Google Wallet™. In still further embodiments, a sensor affixed to the housing of the device detects the arrival of a user towards the device or the arrival of a vehicle in a parking space associated with the meter and communicates the event to the meter device or the existing parking meter. In some embodiments, this event information is used to power-up the payment accepting unit (which had been powered-down to conserve energy), activate the pay-

14

ment accepting unit, or allow the payment accepting unit to anticipate or prepare for acceptance of payment.

In certain embodiments, the power unit affixed to the housing of the device can be in an off-mode in the absence of any vehicle presence in the parking space(s) associated with the meter. The power unit is optionally turned on, only upon detection, by the sensor affixed to the device, of vehicle presence in the parking space(s) associated with the meter. This results in reduction of energy costs associated with operating the meter. In certain embodiments, the meters rapidly switch on upon detection of vehicle presence by the sensors, and are ready for carrying out payment transactions even before the vehicle driver walks up to the meter.

In some embodiments, the sensor affixed to the housing of the device of the parking meter, communicates the information regarding the departure of the vehicle to the meter device or the existing meter and this results in immediate resetting of paid time. In further embodiments, the sensor affixed to the housing of the device of the parking meter, communicates through wireless radio, which in turn transmits the information to the wireless tag affixed to the parking meter, and this results in the update of the display screen of the parking meter and/or the device. Thus, the parking meters describe herein is optionally used to avoid overlap of paid time between successive vehicles occupying the same parking space. This enables collection of increased and accurate revenue from the parking meters of the present invention.

In certain embodiments, the vehicle presence information, within the parking space(s) associated with the parking meter, can be collected by the sensor and transmitted, via the wireless radio transmitter (along with location identification information stored in an RF tag associated with the parking meter), to one or more remote servers, a cluster of servers, or cloud computing system. The types of information transmitted to the server can include, for example, average length of time during which the parking space(s) is/are occupied and paid for, average length of time during which the parking space(s) is/are unoccupied and not paid for, days of the week with maximum occupancy and/or vehicle presence in the parking space(s), or times of the day with maximum occupancy and/or vehicle presence in the parking space(s). The information stored at the server is optionally utilized to model the vehicle flux trends within the local environment of the parking meter, and fix parking rates and/or time limits for parking to precisely meet the needs of the local environment.

## EXAMPLES

The following illustrative examples are representative of embodiments of the software applications, systems, and methods described herein and are not meant to be limiting in any way.

### Example 1—Installing the Device

A city maintenance technician performs his duties, which include driving around town and upgrading parking meters. He loads his vehicle with devices and a toolbox. When he approaches an outdated meter, he does not need to perform any major upgrades to infrastructure, such as drilling, underground wiring, road work, and the like. As such, he does not need any advanced or heavy tools, such as an industrial hammer drill. Instead, the technician uses his simple tools, for instance a screwdriver and a wrench, to attach the device to the pole of an existing parking meter. The entire process

15

for replacing the housing of the device may require less than 10 minutes for completion. The technician then moves to the next parking meter.

#### Example 2—Installing Only a Portion of the Device

Technician from Example 1 is performing the same duties, except this time he is only replacing a portion of the device already installed onto the pole. The portion of the device contains upgraded parts beyond those provided in the housing of the device detailed in Example 1, including upgraded sensors, an RFID tag reader, a self-contained power supply, and a dedicated wireless radio. The self-sufficient portion of the device is installed onto the pole. The technician, using the same simple tools, such as a screwdriver and a wrench, disengages and removes a portion of the device and then replaces and engages the upgraded portion of the device, thereby completing an upgrade of the device. The technician does not need to remove the entire device to complete the upgrade, and thereby he does not need to tamper with the parts within the device that are not designed to be upgraded frequently. The process for upgrading the device similarly takes less than 10 minutes.

#### Example 3—RFID Start-Up Procedures

After technician upgrades a meter with the device or an upgraded portion for an already installed device, technician restarts the meter. The electronic components or the upgraded electronic components in the housing of the device scan the meter RFID tag and determine if that meter location is configured to have a sensor. If the meter is configured to have a sensor in that location, the device or the upgraded portion of the device will use either the meter's wireless radio or its own dedicated wireless radio to download a binding code from a remote management system. The binding code configures the meter, upgraded components, and sensors. The meter wirelessly connects to the new sensors. The meter display is reset, updated, and refreshed. The new meter is now ready for use.

#### Example 4—Environmental Pollution Sensor Network Through Parking Meters

Some devices or upgraded portions of devices already installed contain various sensors capable of collecting environmental information. Technician upgrades meters around the city with sensors capable of detecting pollution, for instance carbon monoxide and carbon dioxide. The upgraded parking meters configure themselves as described in Example 3, and the meters begin to collect pollution information. The meters transmit this data to a remote server, which upgrades the database with the pollution information. Because meters throughout the entire city are upgraded with pollution sensors, the remote server database builds a pollution map of the city.

#### Example 5—Waking a Meter from Power Saving Mode and Priming Payment Methods

After a preset idle time, a parking meter enters a power saving mode. A car pulls into a parking space managed by the parking meter. The sensors of the meter detect the presence of a vehicle and wake the meter from power saving mode to restore full functionality. The meter wirelessly retrieves a binding code and activates an integrated wireless

16

payment receiver. The payment receiver is configured to accept payment through a variety of sources, for instance Apple Pay®, and is primed when the meter detects the presence of a newly-parked vehicle. The display screen is also updated upon retrieval of the binding code, allowing a user to easily pay after parking the vehicle.

#### Example 6—Meter Communication with City Personnel

A parking enforcement officer patrols the city hoping to hand out parking citations to meet her monthly quota. She carries a personal meter scanning device. As she approaches a parking meter, the meter's sensors detect the scanning device, and wirelessly connect to the remote management system to configure the meter to wirelessly transmit environmental information to the scanning device. The officer receives relevant environmental information in assisting her to issue parking citations, including meter identification, meter location, vehicle identification, license plate information, vehicle registration information, citation history, data indicating issuance of a citation, and data related to the type of citation issued.

While preferred embodiments of the present invention have been shown and described herein, it will be obvious to those skilled in the art that such embodiments are provided by way of example only. Numerous variations, changes, and substitutions will now occur to those skilled in the art without departing from the invention. It should be understood that various alternatives to the embodiments of the invention described herein may be employed in practicing the invention.

What is claimed is:

1. A device comprising:

- a) a first sensor configured to collect first information pertaining to a parking space;
- b) a second sensor configured to collect second information pertaining to the parking space;
- c) a wireless radio configured to perform at least the following:
  - i) send, receive, or both send and receive data related to an identifier associated with a unique physical location;
  - ii) send, receive, or both send and receive data related to device configuration information; and
  - iii) send, receive, or both send and receive data related to the first information, the second information, or both the first information and the second information; and
- d) a power system configured to controllably supply power to the first sensor, the second sensor, and the wireless radio;
 

wherein the device is configured to retrofit the parking space by physically mounting to a structure associated with the parking space to upgrade the parking space.

2. The device of claim 1, wherein the second information comprises one or more images of the parking space.

3. The device of claim 1, wherein the first sensor comprises: a camera, a radar, a time of flight sensor, a ranging sensor, a magnetic sensor, a magnetic-flux sensor, a capacitance sensor, a proximity sensor, an ultrasonic sensor, an infrared sensor, a microwave sensor, a RF sensor, or a combination thereof.

4. The device of claim 3, wherein the first sensor comprises two or more cameras.

17

5. The device of claim 1, wherein the second sensor comprises: a camera, a radar, a time of flight sensor, a ranging sensor, a magnetic sensor, a magnetic-flux sensor, a capacitance sensor, a proximity sensor, an ultrasonic sensor, an infrared sensor, a microwave sensor, a RF sensor, or a combination thereof.

6. The device of claim 1, wherein the wireless radio utilizes ISM-band, Wi-Fi, Bluetooth, or ZigBee.

7. The device of claim 1, wherein the identifier is associated with the parking space.

8. The device of claim 1, wherein the wireless radio is further configured to send, receive, or both send and receive data related to one or more of: a meter identification, a meter location, a vehicle identification, a license plate information, a vehicle registration information, and a citation history.

9. The device of claim 1, wherein the wireless radio is configured to send and/or receive data to and/or from one or more of: a parking meter, a remote server, and a handheld parking enforcement device.

10. The device of claim 1, wherein the power system powers up the second sensor in response to the collection of the first information.

11. The device of claim 1, wherein the second sensor collects the second information in response to the collection of the first information.

12. The device of claim 1, wherein the device is operationally self-sufficient, the first sensor, the second sensor, the wireless radio, and the power system not electrically connected to another device.

13. The device of claim 1, wherein the power system comprises one or more non-rechargeable batteries.

14. The device of claim 1, wherein the power system comprises one or more rechargeable batteries.

15. The device of claim 1, wherein the device is configured to mount to a pole or sign associated with the parking space.

16. A method comprising:

- a) physically affixing a device to a physical structure associated with a parking space; and
- b) positioning the device with respect to the parking space;

wherein the device comprises:

- a) a first sensor configured to collect first information pertaining to the parking space;
- b) a second sensor configured to collect second information pertaining to the parking space;
- c) a wireless radio configured to perform at least the following:
  - i) send, receive, or both send and receive data related to an identifier associated with a unique physical location;
  - ii) send, receive, or both send and receive data related to device configuration information; and

18

iii) send, receive, or both send and receive data related to the first information, the second information, or both the first information and the second information; and

d) a power system configured to supply power to the first sensor, the second sensor, and the wireless radio; wherein the device upgrades the parking space by retrofit.

17. The method of claim 16, wherein the second information comprises one or more images of the parking space.

18. The method of claim 16, wherein the first sensor comprises: a camera, a radar, a time of flight sensor, a ranging sensor, a magnetic sensor, a magnetic-flux sensor, a capacitance sensor, a proximity sensor, an ultrasonic sensor, an infrared sensor, a microwave sensor, a RF sensor, or a combination thereof.

19. The method of claim 18, wherein the first sensor comprises two or more cameras.

20. The method of claim 16, wherein the second sensor comprises: a camera, a radar, a time of flight sensor, a ranging sensor, a magnetic sensor, a magnetic-flux sensor, a capacitance sensor, a proximity sensor, an ultrasonic sensor, an infrared sensor, a microwave sensor, a RF sensor, or a combination thereof.

21. The method of claim 16, wherein the wireless radio utilizes ISM-band, Wi-Fi, Bluetooth, or ZigBee.

22. The method of claim 16, wherein the identifier is associated with the parking space.

23. The method of claim 16, wherein the wireless radio is further configured to send, receive, or both send and receive data related to one or more of: a meter identification, a meter location, a vehicle identification, a license plate information, a vehicle registration information, and a citation history.

24. The method of claim 16, wherein the wireless radio is configured to send and/or receive data to and/or from one or more of: a parking meter, a remote server, and a handheld parking enforcement device.

25. The method of claim 16, wherein the power system powers up the second sensor in response to the collection of the first information.

26. The method of claim 16, wherein the second sensor collects the second information in response to the collection of the first information.

27. The method of claim 16, wherein the device is operationally self-sufficient, the first sensor, the second sensor, the wireless radio, and the power system not electrically connected to another device.

28. The method of claim 16, wherein the power system comprises one or more non-rechargeable batteries.

29. The method of claim 16, wherein the power system comprises one or more rechargeable batteries.

30. The method of claim 16, comprising physically affixing the device to a pole or sign associated with the parking space.

\* \* \* \* \*