



(12) **United States Design Patent**  
**King et al.**

(10) **Patent No.:** **US D955,231 S**  
 (45) **Date of Patent:** **\*\* \*Jun. 21, 2022**

(54) **PARKING PAY STATION**

(56)

**References Cited**

(71) Applicant: **IPS Group Inc.**, San Diego, CA (US)

**U.S. PATENT DOCUMENTS**

(72) Inventors: **David William King**, Rancho Santa Fe, CA (US); **Choor-Hong Tan**, Epping (AU); **Derek Wu**, Strathfield (AU); **David Andrew Jones**, Beecroft (AU)

(73) Assignee: **IPS GROUP INC.**, San Diego, CA (US)

(\* ) Notice: This patent is subject to a terminal disclaimer.

(\*\*) Term: **15 Years**

(21) Appl. No.: **29/700,891**

(22) Filed: **Aug. 6, 2019**

(51) **LOC (13) Cl.** ..... **10-03**

(52) **U.S. Cl.**

USPC ..... **D10/42; D99/28; D18/4.4; D18/4.6**

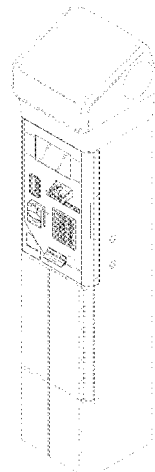
(58) **Field of Classification Search**

USPC ..... D99/28, 34, 35, 36, 43, 99; D10/40, 41, D10/42; D14/300, 301, 302, 305, 307, D14/900-902; D21/324, 325, 329, 369, D21/370; D18/3.1, 3.2, 3.3, 4.1, 4.2, 4.3, D18/4.4, 4.5, 4.6, 11, 12, 12.1, 12.2, D18/12.3; 705/16, 17, 18, 42, 43, 44, 45; 235/379, 380, 381; 194/205; 109/1 R, 109/1 V, 2, 23, 24.1, 25, 58, 58.5, 66; 52/36.1; 101/66

CPC .. G06Q 20/10; G06Q 20/108; G06Q 20/1085; G06Q 20/18; G07D 1/00; G07D 1/02; G07D 1/04; G07D 1/06; G07D 11/00; G07D 9/002; G07D 9/04; G07F 19/20; G07F 19/201; G07F 19/202; G07F 19/203; G07F 19/204; G07F 19/205; G07F 19/21; G07F 19/00; G07F 7/04; G07F 5/00; G07F 1/00; E05G 7/001

See application file for complete search history.

D161,888 S	2/1951	Wilkin
D246,917 S	1/1978	Sauter
4,615,280 A	10/1986	Shoop et al.
4,754,126 A	6/1988	Caldwell
D331,996 S	12/1992	Fukutake et al.
D336,860 S	6/1993	Clough
D342,209 S	12/1993	Clough
D354,047 S	1/1995	Leggate et al.
D360,734 S	7/1995	Hall
D360,737 S	7/1995	Helbig, Jr.
D375,607 S	11/1996	Hall
D396,655 S	8/1998	Anderson
5,915,246 A	6/1999	Patterson et al.
D412,289 S	7/1999	Winwood
6,029,888 A	2/2000	Harvey
D430,045 S	8/2000	Omuro et al.
D431,788 S	10/2000	Tuxen et al.
D437,468 S	2/2001	Fukutake et al.
D447,519 S	9/2001	Pinchuk et al.
D448,910 S	10/2001	Kit
D450,253 S	11/2001	Marguet
D454,421 S	3/2002	Jeon
D460,005 S	7/2002	Jacquet
D472,362 S	3/2003	Zerman et al.
6,527,172 B1	3/2003	Lewis et al.
D481,516 S	10/2003	Magee
D485,417 S	1/2004	Magee
D488,280 S	4/2004	Zerman
D492,080 S	6/2004	Magee
D492,081 S	6/2004	Magee
D494,730 S	8/2004	Magee
D497,814 S	11/2004	Odinotski et al.
D505,240 S	5/2005	Swaine et al.
D505,765 S	5/2005	Swaine et al.
D510,751 S	10/2005	Magee et al.
7,004,385 B1	2/2006	Douglass
7,040,534 B2*	5/2006	Turocy ..... G06Q 20/1085 235/379
D530,880 S	10/2006	Magee et al.
7,131,576 B2	11/2006	Utz et al.
D538,505 S	3/2007	Kang
7,222,782 B2	5/2007	Lute et al.
7,347,368 B1	3/2008	Gravelle et al.
D570,920 S	6/2008	Choi
7,419,091 B1	9/2008	Scanlon
D579,795 S	11/2008	Martinez et al.
7,445,144 B2	11/2008	Schlabach et al.
D582,125 S	12/2008	Kang et al.
D592,825 S	5/2009	Kang et al.



7,533,802	B1	5/2009	McGinley et al.
D596,373	S	7/2009	Kang et al.
D596,374	S	7/2009	Kang
7,575,166	B2	8/2009	McNamara
7,611,045	B1	11/2009	Lute et al.
7,624,919	B2	12/2009	Meek et al.
7,699,224	B2	4/2010	Mole
D615,274	S	5/2010	Kim et al.
7,717,327	B2	5/2010	Gomes et al.
7,726,558	B1	6/2010	Lute et al.
D625,305	S	10/2010	Bleck
D629,585	S	12/2010	Bleck et al.
D632,740	S	2/2011	Adeline
7,891,546	B1	2/2011	Steinbach et al.
D645,223	S	9/2011	Bleck
D652,872	S	1/2012	Mougin et al.
D653,014	S	1/2012	Rohan
D653,420	S	1/2012	Rohan
D653,421	S	1/2012	Rohan
D653,424	S	1/2012	Rohan
8,181,857	B1	5/2012	Lute et al.
D672,525	S	12/2012	Lee et al.
D674,985	S	1/2013	Lee
D677,035	S	2/2013	Lee
D677,714	S	3/2013	Helgesson et al.
D680,156	S	4/2013	Hernandez et al.
D681,717	S	5/2013	Helgesson et al.
D682,504	S	5/2013	Lee et al.
D691,165	S	10/2013	Attoma
D693,983	S	11/2013	Budde et al.
8,573,484	B1	11/2013	Irudayam et al.
D696,484	S	12/2013	Lee
D696,485	S	12/2013	Lee
D702,913	S	4/2014	Budde
D702,914	S	4/2014	Budde
D716,515	S	10/2014	Cha
D722,740	S	2/2015	Budde
D724,290	S	3/2015	Cha et al.
D724,811	S	3/2015	Reitinger
D724,812	S	3/2015	Cha et al.
D728,190	S	4/2015	Sheley
D732,263	S	6/2015	Budde et al.
D735,437	S	7/2015	Randall et al.
D735,438	S	7/2015	Randall et al.
D735,440	S	7/2015	Randall et al.
D735,963	S	8/2015	Randall et al.
D735,965	S	8/2015	Randall et al.
D739,637	S	9/2015	Randall
D739,638	S	9/2015	Randall
D739,639	S	9/2015	Randall
D741,040	S	10/2015	Budde et al.
D742,090	S	10/2015	Randall
D743,956	S *	11/2015	Kraft ..... D14/307
D746,015	S	12/2015	King et al.
D748,364	S	1/2016	King et al.
D748,888	S	2/2016	King et al.
D749,290	S	2/2016	Pollmann
D762,040	S	7/2016	King et al.
D769,570	S	10/2016	Kraft et al.
D769,571	S	10/2016	Lee et al.
D769,572	S	10/2016	Park et al.
D779,771	S	2/2017	King et al.
D779,772	S	2/2017	King et al.
D779,773	S	2/2017	King et al.
D779,774	S *	2/2017	King ..... D99/28
D781,024	S	3/2017	King et al.
D792,049	S *	7/2017	Oh ..... D99/28
D795,523	S	8/2017	King et al.
D802,874	S	11/2017	King et al.
D802,875	S	11/2017	King et al.
D802,876	S	11/2017	King et al.
D802,877	S	11/2017	King et al.
D802,878	S	11/2017	King et al.
9,842,455	B2 *	12/2017	MacKay ..... G06Q 20/3278
D813,059	S *	3/2018	MacKay ..... D10/42
D832,553	S *	10/2018	Angelopoulos ..... D99/28
D863,074	S *	10/2019	MacKay ..... D10/42
D863,075	S *	10/2019	MacKay ..... D10/42
D863,076	S *	10/2019	MacKay ..... D10/42

D863,987	S *	10/2019	MacKay ..... D10/42
D863,988	S *	10/2019	MacKay ..... D10/42
D879,404	S *	3/2020	Morishita ..... D99/28
D883,605	S *	5/2020	Lee ..... D99/28
RE48,566	E *	5/2021	MacKay ..... G07F 17/00
			D10/42
2004/0016796	A1 *	1/2004	Hanna ..... G07D 11/0096
			235/375
2004/0059693	A1	3/2004	Hausen et al.
2004/0262379	A1 *	12/2004	Gomes ..... G07F 17/248
			235/379
2005/0029340	A1	2/2005	Ferraro
2006/0152385	A1 *	7/2006	Mandy ..... G07F 17/24
			340/932.2
2007/0046651	A1	3/2007	Sinclair et al.
2007/0276724	A1	11/2007	Catt et al.
2008/0257965	A1	10/2008	Klein et al.
2008/0265019	A1	10/2008	Artino et al.
2008/0296365	A1	12/2008	Schliebe
2009/0057398	A1	3/2009	Douglass et al.
2010/0161489	A1	6/2010	Goodall et al.
2010/0187300	A1	7/2010	Ramachandran et al.
2010/0241564	A1	9/2010	Miller et al.
2010/0243729	A1	9/2010	Russell et al.
2011/0133613	A1	6/2011	Descamps et al.
2011/0320243	A1	12/2011	Khan
2012/0286036	A1	11/2012	Jones et al.
2014/0165885	A1	6/2014	Denny et al.

FOREIGN PATENT DOCUMENTS

AT	507762	A1	7/2010
CA	2517717	A1	9/2004
EP	1227448	A2	7/2002
FR	2928678	A1	9/2009
FR	2979726	A1	3/2013
JP	3441832	B2	9/2003
JP	4247079	B2	4/2009
JP	5238316	B2	7/2013
W●	W●-02084600	A1	10/2002
W●	W●-03065322	A1	8/2003
W●	W●-2010062105	A2	6/2010
W●	W●-2014127384	A1	8/2014

OTHER PUBLICATIONS

Parking Pay Stations, <https://www.cityofcocoabeach.com/642/Parking-Pay-Stations>, retrieved on Jun. 10, 2021 (Year: 2021).\*

No change for car park charge? Just RingGo, <https://www.northern-times.co.uk/news/no-change-for-car-park-charge-just-ringgo-140901/>, Jul. 6, 2017 (Year: 2017).\*

Co-pending U.S. Appl. No. 16/441,800, filed Jun. 14, 2019.

Co-pending U.S. Appl. No. 29/700,889, filed Aug. 6, 2018.

Co-pending U.S. Appl. No. 29/700,892, filed Aug. 6, 2019.

Co-pending U.S. Appl. No. 29/700,893, filed Aug. 6, 2019.

Co-pending U.S. Appl. No. 29/700,894, filed Aug. 6, 2019.

\* cited by examiner

Primary Examiner — Elizabeth J Oswecki  
(74) Attorney, Agent, or Firm — Wilson Sonsini Goodrich & Rosati

(57) CLAIM

The ornamental design for a parking pay station, as shown and described.

DESCRIPTION

FIG. 1 is a top front right perspective view of a parking pay station, showing our new design;  
FIG. 2 is a top back left perspective view thereof;  
FIG. 3 is a front elevational view thereof;

FIG. 4 is a back elevational view thereof;  
FIG. 5 is a left side elevational view thereof;  
FIG. 6 is a right side elevational view thereof; and,  
FIG. 7 is a top plan view thereof.

The broken lines shown in the drawings represent portions of the parking pay station that form no part of the claimed design. The letters, numbers, and symbols on the buttons and panels shown in FIGS. 1 and 3 are broken lines and form no part of the claimed design.

**1 Claim, 7 Drawing Sheets**

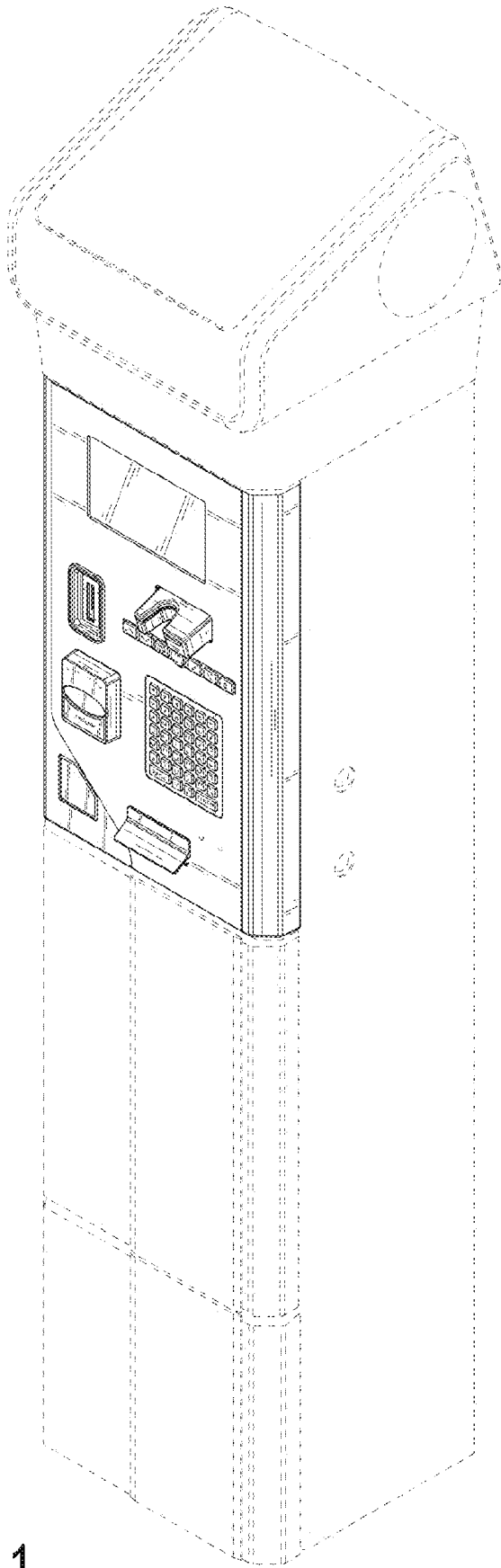


FIG. 1

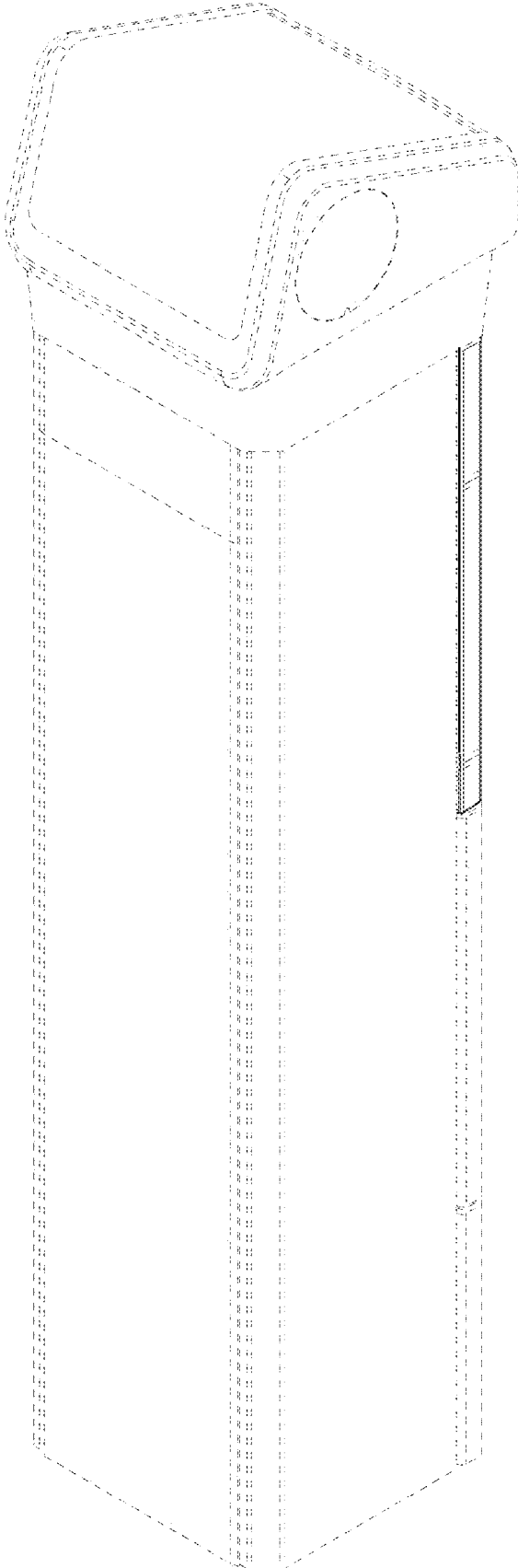


FIG. 2

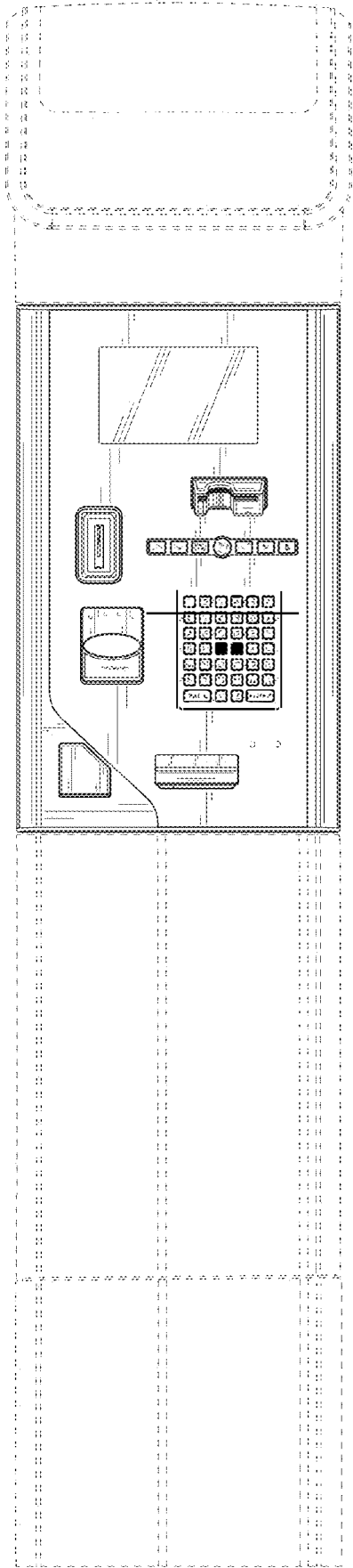


FIG. 3

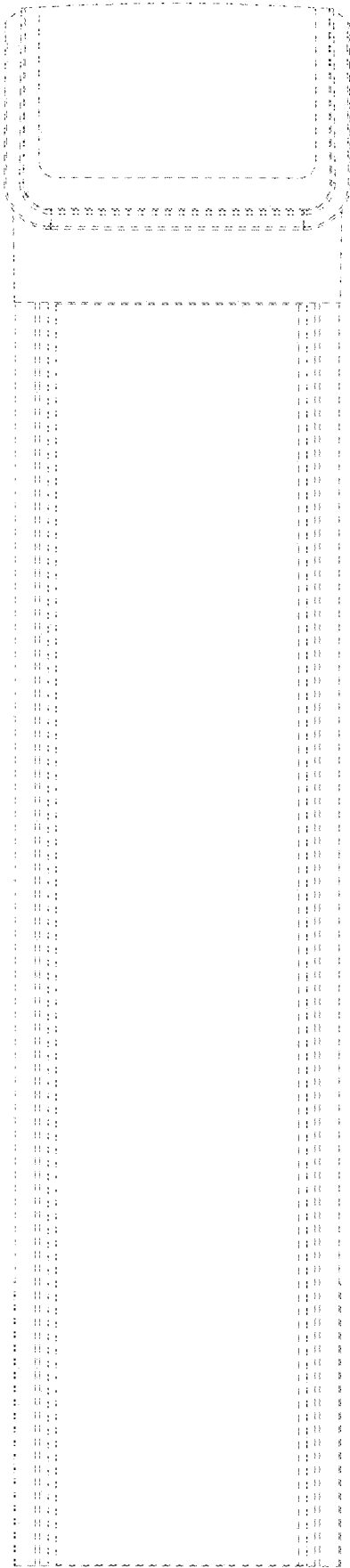


FIG. 4

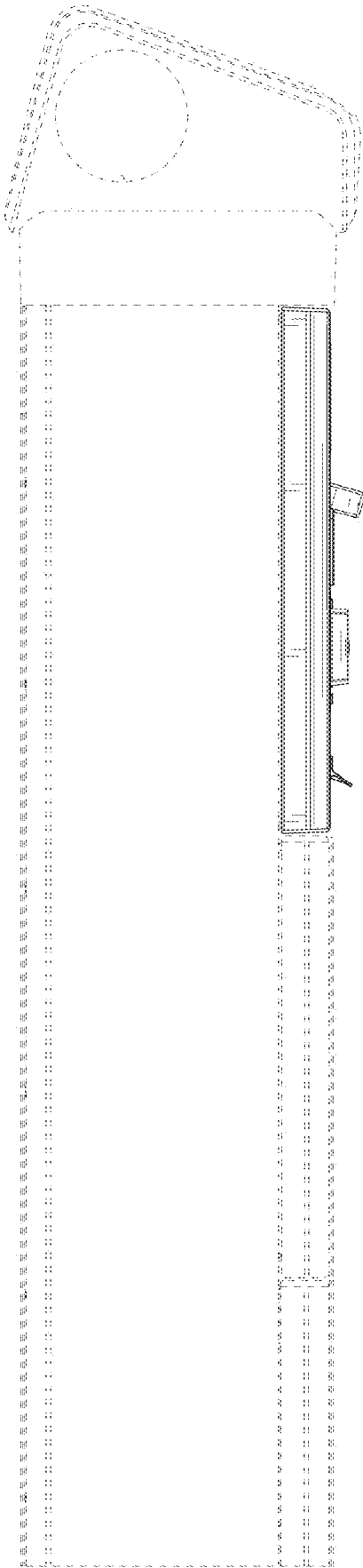


FIG. 5



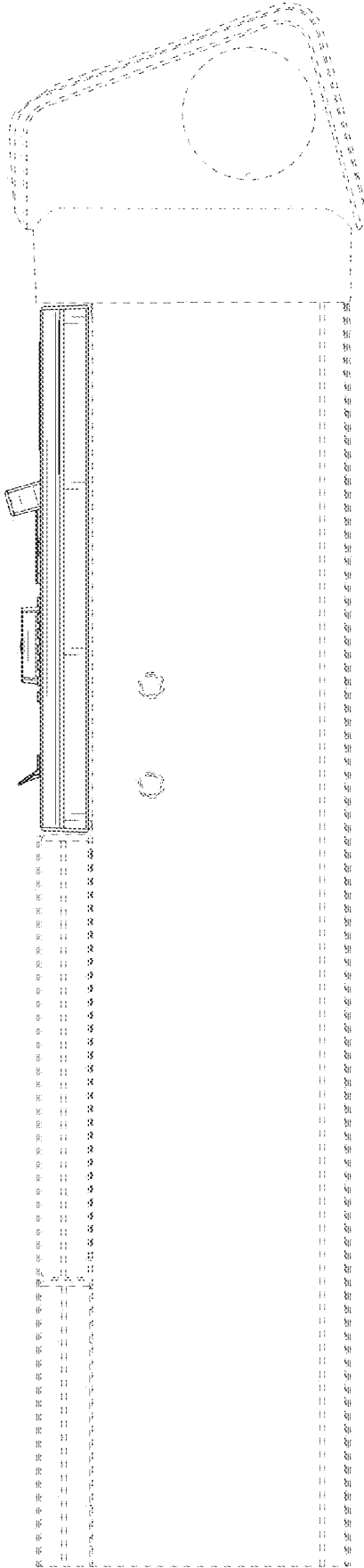


FIG. 6

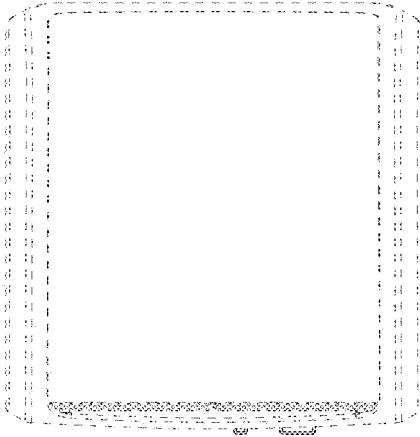


FIG. 7