



(12) **United States Design Patent**
King et al.

(10) **Patent No.:** **US D955,230 S**
(45) **Date of Patent:** **** Jun. 21, 2022**

- (54) **PARKING PAY STATION**
- (71) Applicant: **IPS Group Inc.**, San Diego, CA (US)
- (72) Inventors: **David William King**, Rancho Santa Fe, CA (US); **Choor-Hong Tan**, Epping (AU); **Derek Wu**, Strathfield (AU); **David Andrew Jones**, Beecroft (AU)
- (73) Assignee: **IPS GROUP INC.**, San Diego, CA (US)

4,615,280 A 10/1986 Shoop et al.
 4,754,126 A 6/1988 Caldwell
 D331,996 S 12/1992 Fukutake et al.
 (Continued)

FOREIGN PATENT DOCUMENTS

AT 507762 A1 7/2010
 CA 2517717 A1 9/2004
 (Continued)

OTHER PUBLICATIONS

No change for car park charge? Just RingGo, <https://www.northern-times.co.uk/news/no-change-for-car-park-charge-just-ringgo-140901/>, Jul. 6, 2017 (Year: 2017).*

(Continued)

Primary Examiner — Elizabeth J Oswecki
 (74) *Attorney, Agent, or Firm* — Wilson Sonsini Goodrich & Rosati

- (**) Term: **15 Years**
- (21) Appl. No.: **29/700,889**
- (22) Filed: **Aug. 6, 2019**
- (51) **LOC (13) Cl.** **10-03**
- (52) **U.S. Cl.**
 USPC **D10/42**; D99/28; D18/4.4; D18/4.6
- (58) **Field of Classification Search**
 USPC D99/28, 34, 35, 36, 43, 99; D10/40, 41, D10/42; D14/300, 301, 302, 305, 307, D14/900-902; D21/324, 325, 329, 369, D21/370; D18/3.1, 3.2, 3.3, 4.1, 4.2, 4.3, D18/4.4, 4.5, 4.6, 11, 12, 12.1, 12.2, D18/12.3; 705/16, 17, 18, 42, 43, 44, 45; 235/379, 380, 381; 194/205; 109/1 R, 109/1 V, 2, 23, 24.1, 25, 58, 58.5, 66; 52/36.1; 101/66
 CPC .. G06Q 20/10; G06Q 20/108; G06Q 20/1085; G06Q 20/18; G07D 1/00; G07D 1/02; G07D 1/04; G07D 1/06; G07D 11/00; G07D 9/002; G07D 9/04; G07F 19/20; G07F 19/201; G07F 19/202; G07F 19/203; G07F 19/204; G07F 19/205; G07F 19/21; G07F 19/00; G07F 7/04; G07F 5/00; G07F 1/00; E05G 7/001
 See application file for complete search history.

CLAIM

The ornamental design for a parking pay station, as shown and described.

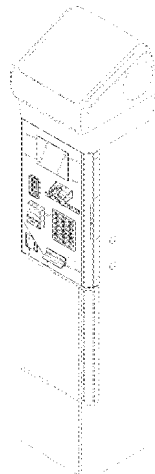
DESCRIPTION

FIG. 1 is a top front right perspective view of a parking pay station, showing our new design;
 FIG. 2 is a top back left perspective view thereof;
 FIG. 3 is a front elevational view thereof;
 FIG. 4 is a back elevational view thereof;
 FIG. 5 is a left side elevational view thereof;
 FIG. 6 is a right side elevational view thereof; and,
 FIG. 7 is a top plan view thereof.
 The broken lines shown in the drawings represent portions of the parking pay station that form no part of the claimed design.

(56) **References Cited**
U.S. PATENT DOCUMENTS

D161,888 S 2/1951 Wilkin
 D246,917 S 1/1978 Sauter

1 Claim, 7 Drawing Sheets



(56)

References Cited

U.S. PATENT DOCUMENTS

D336,860	S	6/1993	Clough	D696,484	S	12/2013	Lee
D342,209	S	12/1993	Clough	D696,485	S	12/2013	Lee
D354,047	S	1/1995	Leggate et al.	D702,913	S	4/2014	Budde
D360,734	S	7/1995	Hall	D702,914	S	4/2014	Budde
D360,737	S	7/1995	Helbig, Jr.	D716,515	S	10/2014	Cha
D375,607	S	11/1996	Hall	D722,740	S	2/2015	Budde
D396,655	S	8/1998	Anderson	D724,290	S	3/2015	Cha et al.
5,915,246	A	6/1999	Patterson et al.	D724,811	S	3/2015	Reitinger
D412,289	S	7/1999	Winwood	D724,812	S	3/2015	Cha et al.
6,029,888	A	2/2000	Harvey	D728,190	S	4/2015	Sheley
D430,045	S	8/2000	Omuro et al.	D732,263	S	6/2015	Budde et al.
D431,788	S	10/2000	Tuxen et al.	D735,437	S	7/2015	Randall et al.
D437,468	S	2/2001	Fukutake et al.	D735,438	S	7/2015	Randall et al.
D447,519	S	9/2001	Pinchuk et al.	D735,440	S	7/2015	Randall et al.
D448,910	S	10/2001	Kit	D735,963	S	8/2015	Randall et al.
D450,253	S	11/2001	Marguet	D735,965	S	8/2015	Randall et al.
D454,421	S	3/2002	Jeon	D739,637	S	9/2015	Randall
D460,005	S	7/2002	Jacquet	D739,638	S	9/2015	Randall
D472,362	S	3/2003	Zerman et al.	D739,639	S	9/2015	Randall
6,527,172	B1	3/2003	Lewis et al.	D741,040	S	10/2015	Budde et al.
D481,516	S	10/2003	Magee	D742,090	S	10/2015	Randall
D485,417	S	1/2004	Magee	D743,956	S	11/2015	Kraft D14/307
D488,280	S	4/2004	Zerman	D746,015	S	12/2015	King et al.
D492,080	S	6/2004	Magee	D748,364	S	1/2016	King et al.
D492,081	S	6/2004	Magee	D748,888	S	2/2016	King et al.
D494,730	S	8/2004	Magee	D749,290	S	2/2016	Pollmann
D497,814	S	11/2004	Odinotski et al.	D762,040	S	7/2016	King et al.
D505,240	S	5/2005	Swaine et al.	D769,570	S	10/2016	Kraft et al.
D505,765	S	5/2005	Swaine et al.	D769,571	S	10/2016	Lee et al.
D510,751	S	10/2005	Magee et al.	D769,572	S	10/2016	Park et al.
7,004,385	B1	2/2006	Douglass	D779,771	S	2/2017	King et al.
7,040,534	B2*	5/2006	Turocy G06Q 20/1085 235/379	D779,772	S	2/2017	King et al.
D530,880	S	10/2006	Magee et al.	D779,773	S	2/2017	King et al.
7,131,576	B2	11/2006	Utz et al.	D779,774	S	2/2017	King D99/28
D538,505	S	3/2007	Kang	D781,024	S	3/2017	King et al.
7,222,782	B2	5/2007	Lute et al.	D792,049	S	7/2017	Oh D99/28
7,347,368	B1	3/2008	Gravelle et al.	D795,523	S	8/2017	King et al.
D570,920	S	6/2008	Choi	D802,874	S	11/2017	King et al.
7,419,091	B1	9/2008	Scanlon	D802,875	S	11/2017	King et al.
D579,795	S	11/2008	Martinez et al.	D802,876	S	11/2017	King et al.
7,445,144	B2	11/2008	Schlabach et al.	D802,877	S	11/2017	King et al.
D582,125	S	12/2008	Kang et al.	D802,878	S	11/2017	King et al.
D592,825	S	5/2009	Kang et al.	9,842,455	B2*	12/2017	MacKay G06Q 20/3278
7,533,802	B1	5/2009	McGinley et al.	D813,059	S	3/2018	MacKay D10/42
D596,373	S	7/2009	Kang et al.	D832,553	S	10/2018	Angelopoulos D99/28
D596,374	S	7/2009	Kang	D863,074	S	10/2019	MacKay D10/42
7,575,166	B2	8/2009	McNamara	D863,075	S	10/2019	MacKay D10/42
7,611,045	B1	11/2009	Lute et al.	D863,076	S	10/2019	MacKay D10/42
7,624,919	B2	12/2009	Meek et al.	D863,987	S	10/2019	MacKay D10/42
7,699,224	B2	4/2010	Mole	D863,988	S	10/2019	MacKay D10/42
D615,274	S	5/2010	Kim et al.	D879,404	S	3/2020	Morishita D99/28
7,717,327	B2	5/2010	Gomes et al.	D883,605	S	5/2020	Lee D99/28
7,726,558	B1	6/2010	Lute et al.	RE48,566	E	5/2021	MacKay G07F 17/00 D10/42
D625,305	S	10/2010	Bleck	2004/0016796	A1*	1/2004	Hanna G07D 11/0096 235/375
D629,585	S	12/2010	Bleck et al.	2004/0059693	A1	3/2004	Hausen et al.
D632,740	S	2/2011	Adeline	2004/0262379	A1*	12/2004	Gomes G07F 17/248 235/379
7,891,546	B1	2/2011	Steinbach et al.	2005/0029340	A1	2/2005	Ferraro
D645,223	S	9/2011	Bleck	2006/0152385	A1*	7/2006	Mandy G07F 17/24 340/932.2
D652,872	S	1/2012	Mougin et al.	2007/0046651	A1	3/2007	Sinclair et al.
D653,014	S	1/2012	Rohan	2007/0276724	A1	11/2007	Catt et al.
D653,420	S	1/2012	Rohan	2008/0257965	A1	10/2008	Klein et al.
D653,421	S	1/2012	Rohan	2008/0265019	A1	10/2008	Artino et al.
D653,424	S	1/2012	Rohan	2008/0296365	A1	12/2008	Schliebe
8,181,857	B1	5/2012	Lute et al.	2009/0057398	A1	3/2009	Douglass et al.
D672,525	S	12/2012	Lee et al.	2010/0161489	A1	6/2010	Goodall et al.
D674,985	S	1/2013	Lee	2010/0187300	A1	7/2010	Ramachandran et al.
D677,035	S	2/2013	Lee	2010/0241564	A1	9/2010	Miller et al.
D677,714	S	3/2013	Helgesson et al.	2010/0243729	A1	9/2010	Russell et al.
D680,156	S	4/2013	Hernandez et al.	2011/0133613	A1	6/2011	Descamps et al.
D681,717	S	5/2013	Helgesson et al.	2011/0320243	A1	12/2011	Khan
D682,504	S	5/2013	Lee et al.				
D691,165	S	10/2013	Attoma				
D693,983	S	11/2013	Budde et al.				
8,573,484	B1	11/2013	Irudayam et al.				

(56)

References Cited

U.S. PATENT DOCUMENTS

2012/0286036 A1 11/2012 Jones et al.
2014/0165885 A1 6/2014 Denny et al.

FOREIGN PATENT DOCUMENTS

EP	1227448	A2	7/2002
FR	2928678	A1	9/2009
FR	2979726	A1	3/2013
JP	3441832	B2	9/2003
JP	4247079	B2	4/2009
JP	5238316	B2	7/2013
W●	W●-02084600	A1	10/2002
W●	W●-03065322	A1	8/2003
W●	W●-2010062105	A2	6/2010
W●	W●-2014127384	A1	8/2014

OTHER PUBLICATIONS

Parking Pay Stations, <https://www.cityofcocoabeach.com/642/Parking-Pay-Stations>, retrieved on Jun. 10, 2021 (Year: 2021).*

No change for car park charge? Just RingGo, <https://www.northern-times.co.uk/news/no-change-for-car-park-charge-just-ringgo-140901/>, Jul. 6, 2017 (Year: 2021).*

Co-pending U.S. Appl. No. 16/441,800, filed Jun. 14, 2019.

Co-pending U.S. Appl. No. 29/700,891, filed Aug. 6, 2019.

Co-pending U.S. Appl. No. 29/700,892, filed Aug. 6, 2019.

Co-pending U.S. Appl. No. 29/700,893, filed Aug. 6, 2019.

Co-pending U.S. Appl. No. 29/700,894, filed Aug. 6, 2019.

* cited by examiner

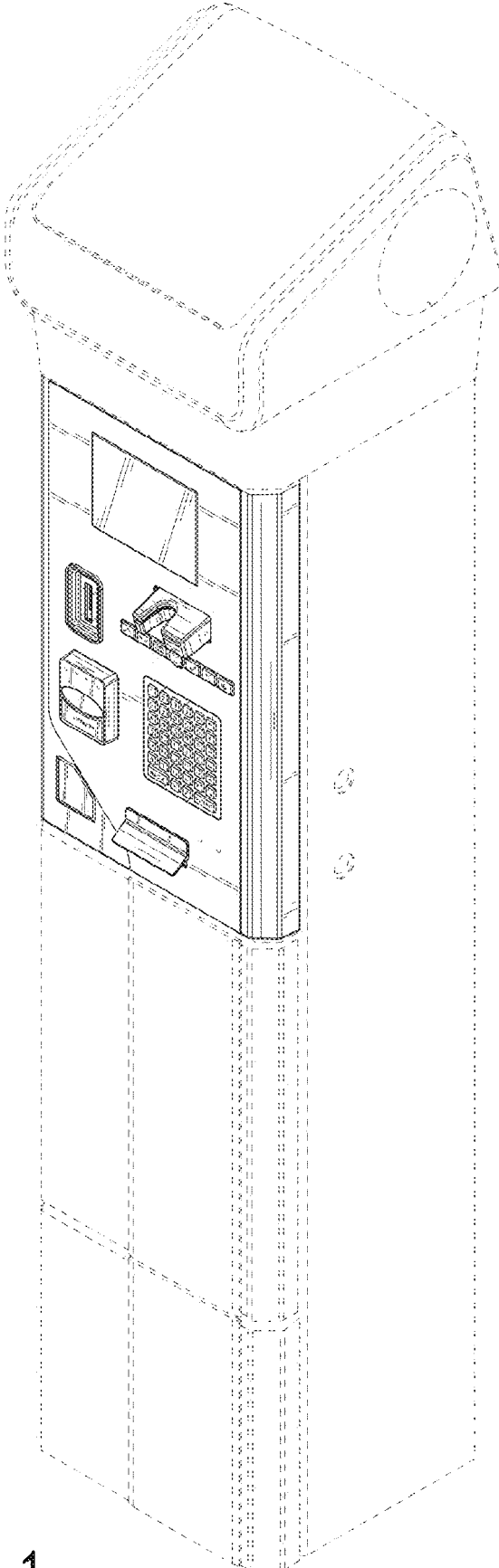


FIG. 1

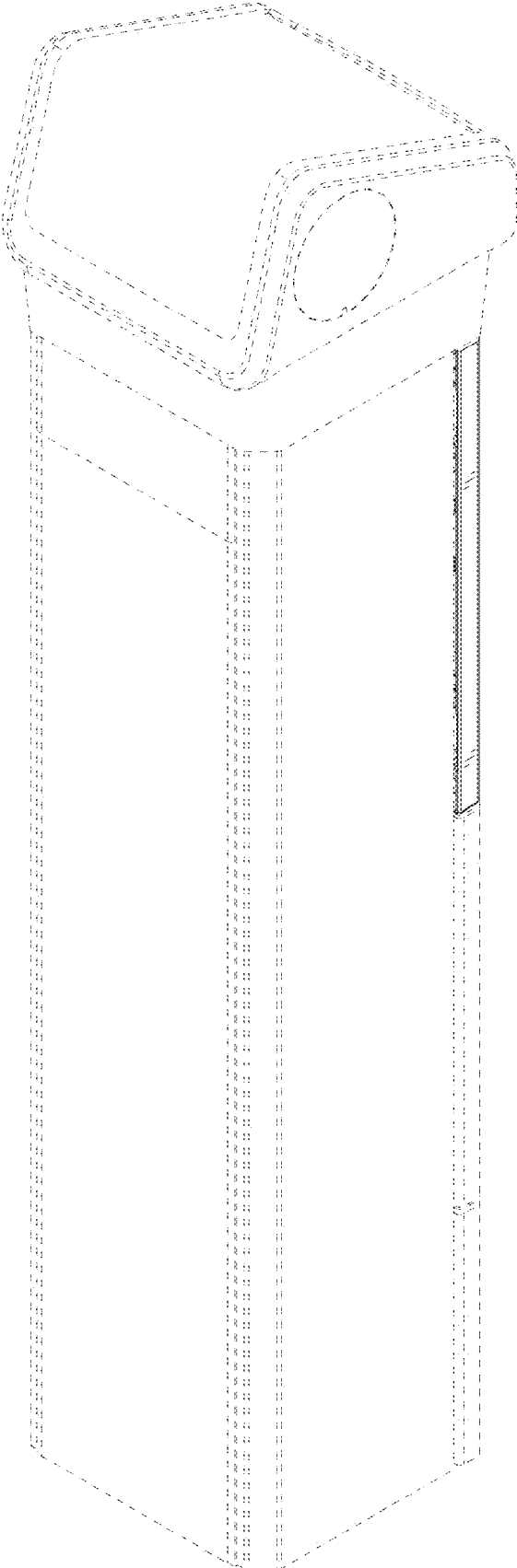


FIG. 2

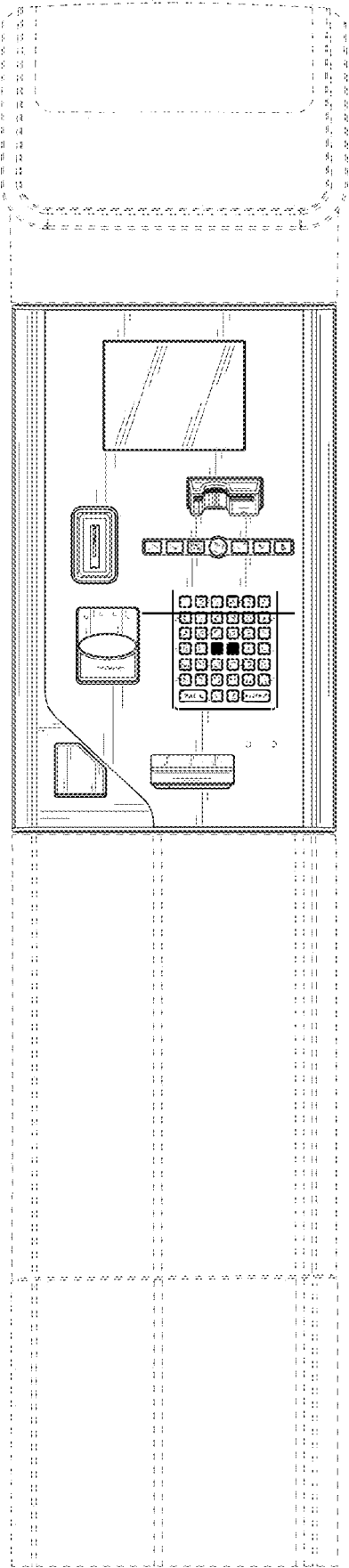


FIG. 3

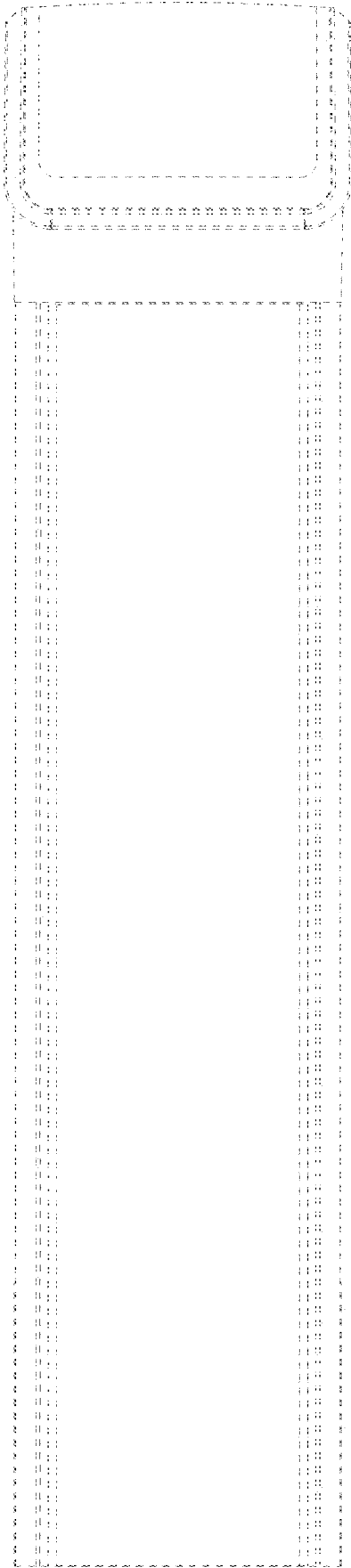


FIG. 4

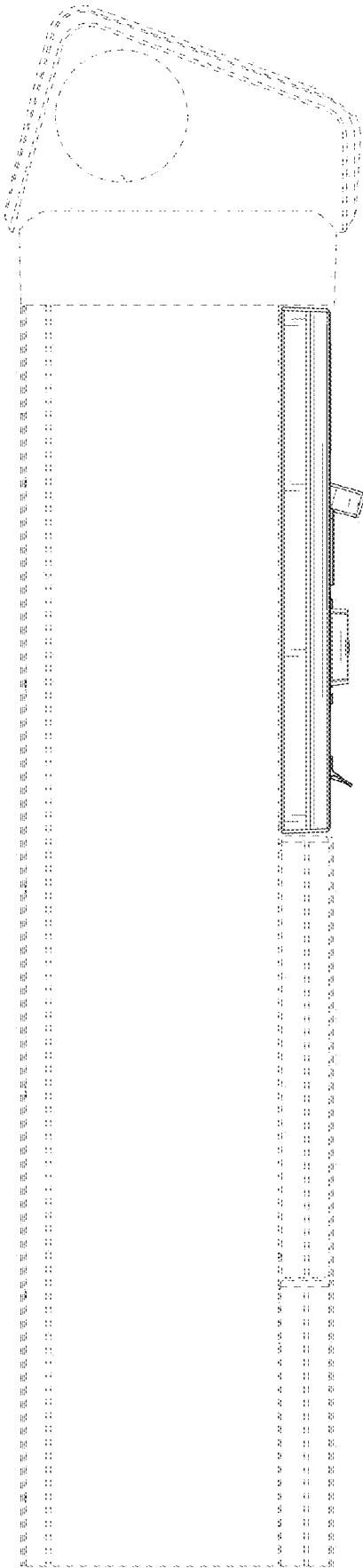


FIG. 5

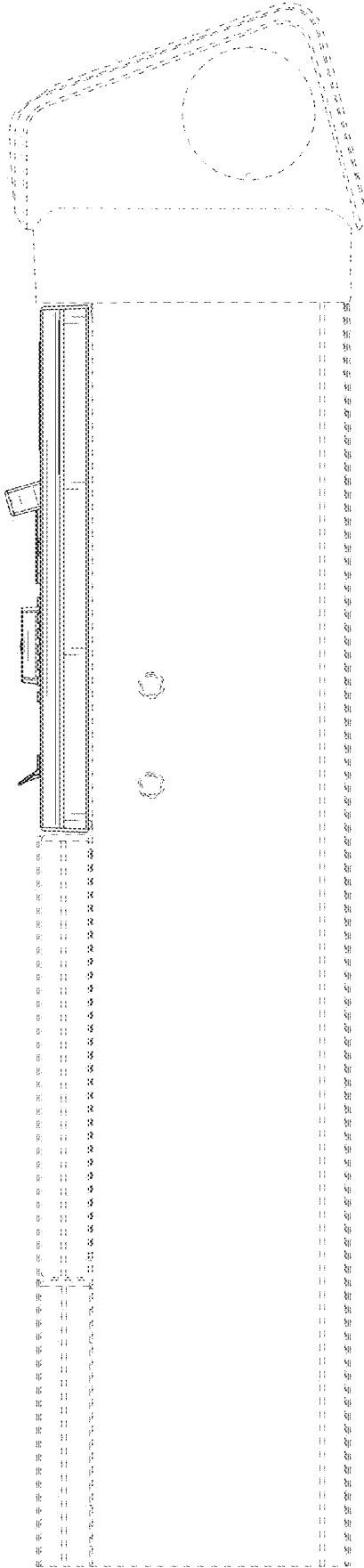


FIG. 6

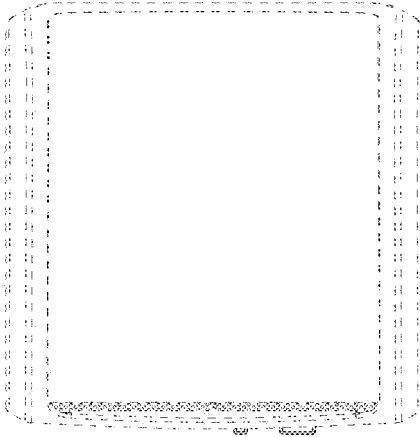


FIG. 7