



(12) **United States Design Patent**  
**King et al.**

(10) **Patent No.:** **US D853,679 S**  
(45) **Date of Patent:** **\*\* Jul. 9, 2019**

(54) **PARKING PAY STATION VIDEO DISPLAY  
CAP**

G07F 5/00; G07F 1/00; E05G 7/001;  
E05G 1/006; A63H 33/00; A63G 33/005  
See application file for complete search history.

(71) Applicant: **IPS Group Inc.**, San Diego, CA (US)

(56) **References Cited**

(72) Inventors: **David William King**, Rancho Santa Fe,  
CA (US); **Alexander Schwarz**, San  
Diego, CA (US); **David Andrew Jones**,  
Beecroft (AU); **Choor Hong Tan**,  
Wentworth Point (AU)

U.S. PATENT DOCUMENTS

4,754,126	A	6/1988	Caldwell	
D336,860	S	6/1993	Clough	
D342,209	S	12/1993	Clough	
D360,734	S	7/1995	Hall	
D388,227	S *	12/1997	Dallman	D99/28
D396,655	S	8/1998	Anderson	
D400,684	S *	11/1998	Dallman	D99/28
5,903,520	A	5/1999	Dee et al.	

(73) Assignee: **IPS GROUP INC.**, San Diego, CA  
(US)

(Continued)

(\*\*) Term: **15 Years**

OTHER PUBLICATIONS

Co-pending U.S. Appl. No. 29/602,232, filed Apr. 28, 2017.

(21) Appl. No.: **29/602,237**

(Continued)

(22) Filed: **Apr. 28, 2017**

*Primary Examiner* — Elizabeth J Oswecki

(74) *Attorney, Agent, or Firm* — Wilson Sonsini Goodrich  
& Rosati

(51) **LOC (11) Cl.** ..... **99-00**

(57) **CLAIM**

(52) **U.S. Cl.**

The ornamental design for a parking pay station video display cap, as shown and described.

USPC ..... **D99/43**

(58) **Field of Classification Search**

USPC ..... D99/28, 34, 35, 36, 43, 99;

D14/300-302, 305, 307, 900-902, 496,

D14/125, 126, 239; D18/3.1-3.3,

D18/4.1-4.6, 12.1-12.3; D21/324, 325,

D21/329, 369, 370; 101/66; 109/1 R,

109/1 V, 2, 23, 24.1, 25, 58, 58.5, 66;

446/8-13; 705/16, 17, 18, 42, 43, 45;

235/51, 379, 380, 382

CPC .. G06Q 20/10; G06Q 20/108; G06Q 20/1085;

G06Q 20/18; G07D 1/00; G07D 1/02;

G07D 1/04; G07D 1/06; G07D 11/00;

G07D 9/002; G07D 9/04; G07F 19/20;

G07F 19/201; G07F 19/202; G07F

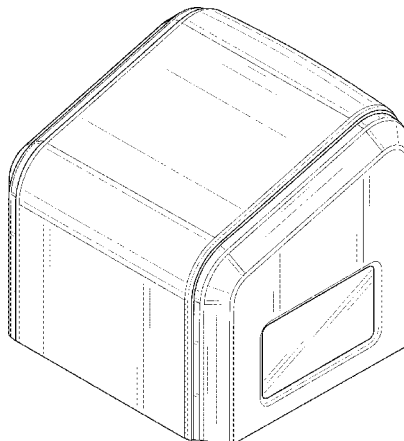
19/203; G07F 19/204; G07F 19/205;

G07F 19/21; G07F 19/00; G07F 7/04;

**DESCRIPTION**

FIG. 1 is a top front perspective view of a parking pay station video display cap, showing our new design; FIG. 2 is a front elevational view thereof; FIG. 3 is a rear elevational view thereof; FIG. 4 is a left side elevational view thereof; FIG. 5 is a right side elevational view thereof; FIG. 6 is a top plan view thereof; FIG. 7 is a bottom plan view thereof; and, FIG. 8 is a top front perspective view thereof, shown in a used condition mounted on a parking pay station shown in broken lines.

(Continued)



The broken lines shown in the drawings represent portions of the parking pay station that form no part of the claimed design.

1 Claim, 8 Drawing Sheets

(56)

References Cited

U.S. PATENT DOCUMENTS

5,915,246 A 6/1999 Patterson et al.  
 D412,289 S 7/1999 Winwood  
 6,029,888 A 2/2000 Harvey  
 D423,181 S \* 4/2000 Dallman ..... D99/28  
 D423,755 S \* 4/2000 Ha ..... D14/902  
 D431,788 S 10/2000 Tuxen  
 D437,468 S 2/2001 Fukutake et al.  
 D450,253 S 11/2001 Marguet  
 D460,005 S 7/2002 Jacquet  
 6,527,172 B1 3/2003 Lewis et al.  
 D488,280 S 4/2004 Zerman  
 D492,080 S 6/2004 Magee  
 D492,081 S 6/2004 Magee  
 D497,814 S 11/2004 Odinoski et al.  
 D505,240 S 5/2005 Swaine et al.  
 D505,765 S 5/2005 Swaine et al.  
 D510,751 S 10/2005 Magee et al.  
 7,004,385 B1 2/2006 Douglass  
 D530,880 S 10/2006 Magee et al.  
 7,131,576 B2 11/2006 Utz et al.  
 D538,505 S 3/2007 Kang  
 D570,920 S 6/2008 Choi  
 7,419,091 B1 9/2008 Scanlon  
 D579,795 S 11/2008 Martinez et al.  
 7,445,144 B2 11/2008 Schlabach et al.  
 D582,125 S 12/2008 Kang et al.  
 D592,825 S 5/2009 Kang et al.  
 7,533,802 B1 5/2009 McGinley et al.  
 D596,373 S 7/2009 Kang et al.  
 D596,374 S 7/2009 Kang  
 7,575,166 B2 8/2009 McNamara  
 7,611,045 B1 11/2009 Lute et al.  
 7,624,919 B2 12/2009 Meek et al.  
 7,699,224 B2 4/2010 Mole  
 D615,274 S 5/2010 Kim et al.  
 7,717,327 B2 5/2010 Gomes et al.  
 7,726,558 B1 6/2010 Lute et al.  
 D624,274 S \* 9/2010 Pendleton ..... D6/707.2  
 D625,305 S 10/2010 Bleck  
 D629,585 S 12/2010 Bleck et al.  
 D632,740 S 2/2011 Adeline  
 7,891,546 B1 2/2011 Steinbach et al.  
 D645,223 S 9/2011 Bleck  
 D652,872 S 1/2012 Mouglin et al.  
 D653,014 S 1/2012 Rohan  
 D653,420 S 1/2012 Rohan  
 D653,421 S 1/2012 Rohan  
 8,181,857 B1 5/2012 Lute et al.  
 D672,525 S 12/2012 Lee et al.  
 D674,985 S 1/2013 Lee  
 D677,035 S 2/2013 Lee  
 D677,714 S 3/2013 Helgesson et al.  
 D680,156 S 4/2013 Hernandez et al.  
 D681,717 S 5/2013 Helgesson et al.  
 D682,504 S 5/2013 Lee et al.  
 D691,165 S 10/2013 Attoma  
 D693,983 S 11/2013 Budde et al.  
 8,573,484 B1 11/2013 Irudayam et al.  
 D696,484 S 12/2013 Lee

D696,485 S 12/2013 Lee  
 D702,913 S 4/2014 Budde  
 D702,914 S 4/2014 Budde  
 D716,515 S 10/2014 Cha  
 D722,740 S 2/2015 Budde  
 D724,290 S 3/2015 Cha et al.  
 D724,811 S 3/2015 Reitingner  
 D724,812 S 3/2015 Cha et al.  
 D728,190 S 4/2015 Sheley  
 D732,263 S 6/2015 Budde et al.  
 D735,437 S \* 7/2015 Randall ..... D99/28  
 D735,438 S \* 7/2015 Randall ..... D99/28  
 D735,440 S \* 7/2015 Randall ..... D99/28  
 D735,963 S \* 8/2015 Randall ..... D99/28  
 D735,965 S \* 8/2015 Randall ..... D99/28  
 D739,638 S 9/2015 Randall  
 D739,639 S 9/2015 Randall  
 D741,040 S 10/2015 Budde et al.  
 D743,956 S 11/2015 Kraft et al.  
 D746,015 S 12/2015 King et al.  
 D748,364 S 1/2016 King et al.  
 D748,888 S 2/2016 King et al.  
 D749,290 S 2/2016 Pollmann  
 D755,649 S 5/2016 King et al.  
 D762,040 S 7/2016 King et al.  
 D769,570 S 10/2016 Kraft et al.  
 D769,571 S 10/2016 Lee et al.  
 D769,572 S 10/2016 Park et al.  
 D779,771 S 2/2017 King et al.  
 D779,772 S 2/2017 King et al.  
 D779,773 S 2/2017 King et al.  
 D779,774 S 2/2017 King et al.  
 D781,024 S \* 3/2017 King ..... D99/28  
 D795,523 S \* 8/2017 King ..... D99/28  
 D802,874 S \* 11/2017 King ..... D99/28  
 D802,875 S \* 11/2017 King ..... D99/28  
 D802,876 S \* 11/2017 King ..... D99/28  
 D802,877 S \* 11/2017 King ..... D99/28  
 D802,878 S \* 11/2017 King ..... D99/28  
 D813,059 S \* 3/2018 MacKay ..... D10/42  
 2004/0262379 A1 12/2004 Gomes et al.  
 2005/0029340 A1 2/2005 Ferraro  
 2007/0046651 A1 3/2007 Sinclair et al.  
 2007/0276724 A1\* 11/2007 Catt ..... G07B 15/00  
 705/13  
 2008/0257965 A1 10/2008 Klein et al.  
 2008/0265019 A1 10/2008 Artino et al.  
 2008/0296365 A1 12/2008 Schliebe  
 2009/0057398 A1 3/2009 Douglass et al.  
 2010/0161489 A1 6/2010 Goodall et al.  
 2010/0187300 A1 7/2010 Ramachandran et al.  
 2010/0241564 A1 9/2010 Miller et al.  
 2010/0243729 A1 9/2010 Russell et al.  
 2011/0133613 A1 6/2011 Descamps et al.  
 2015/0371483 A1\* 12/2015 Sun ..... G07F 1/046  
 194/347  
 2017/0034600 A1 2/2017 King et al.  
 2017/0083043 A1 3/2017 Bowers et al.  
 2018/0322534 A1 11/2018 King et al.

OTHER PUBLICATIONS

Co-pending U.S. Appl. No. 29/602,239, filed Apr. 28, 2017.  
 Co-pending U.S. Appl. No. 29/602,240, filed Apr. 28, 2017.  
 Co-pending U.S. Appl. No. 29/602,241, filed Apr. 28, 2017.  
 Co-pending U.S. Appl. No. 29/602,934, filed May 4, 2017.  
 U.S. Appl. No. 29/477,321 Office Action dated May 15, 2015.  
 U.S. Appl. No. 29/477,324 Office Action dated Apr. 23, 2015.  
 U.S. Appl. No. 29/477,329 Office Action dated May 22, 2015.

\* cited by examiner

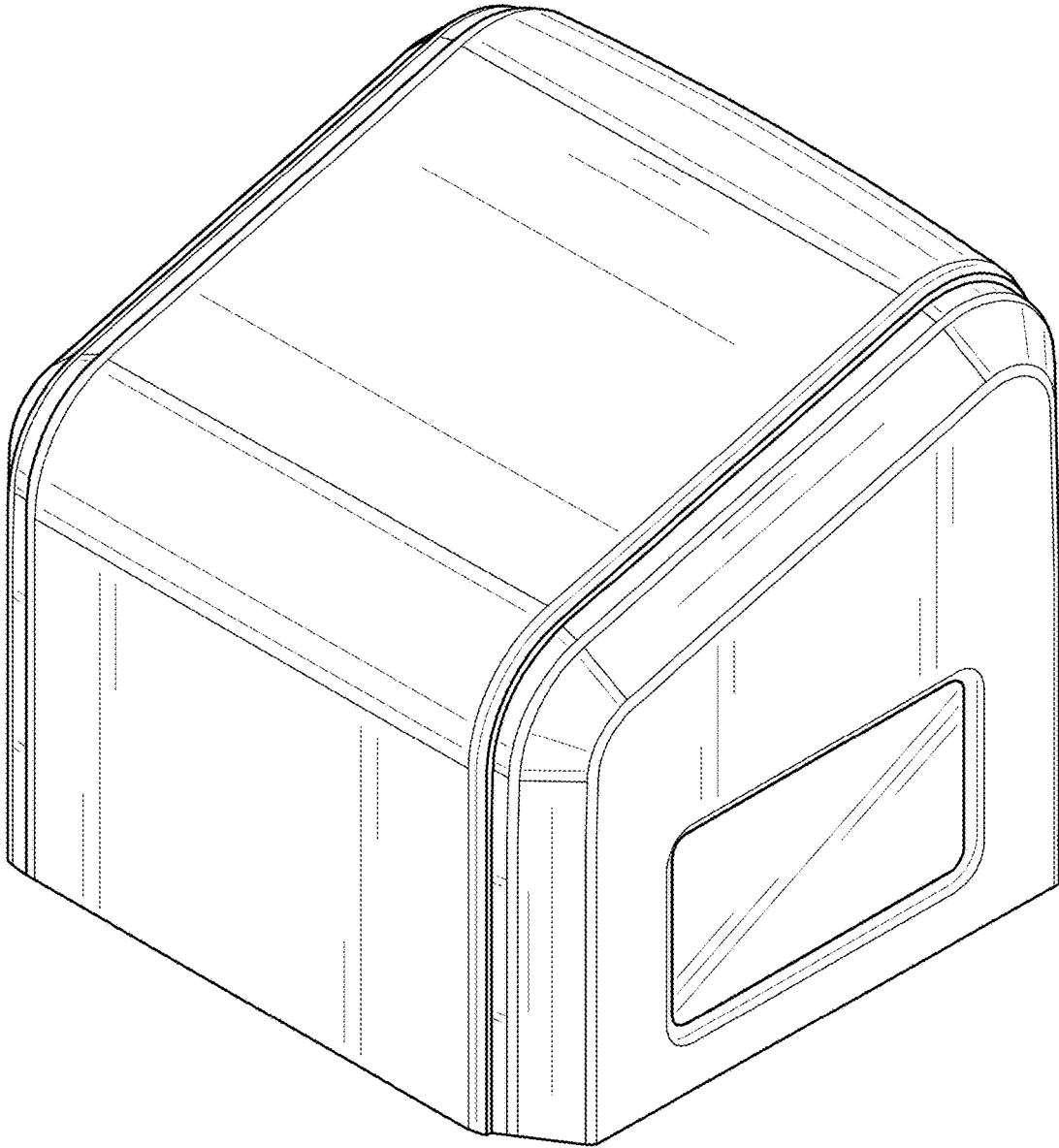


FIG. 1

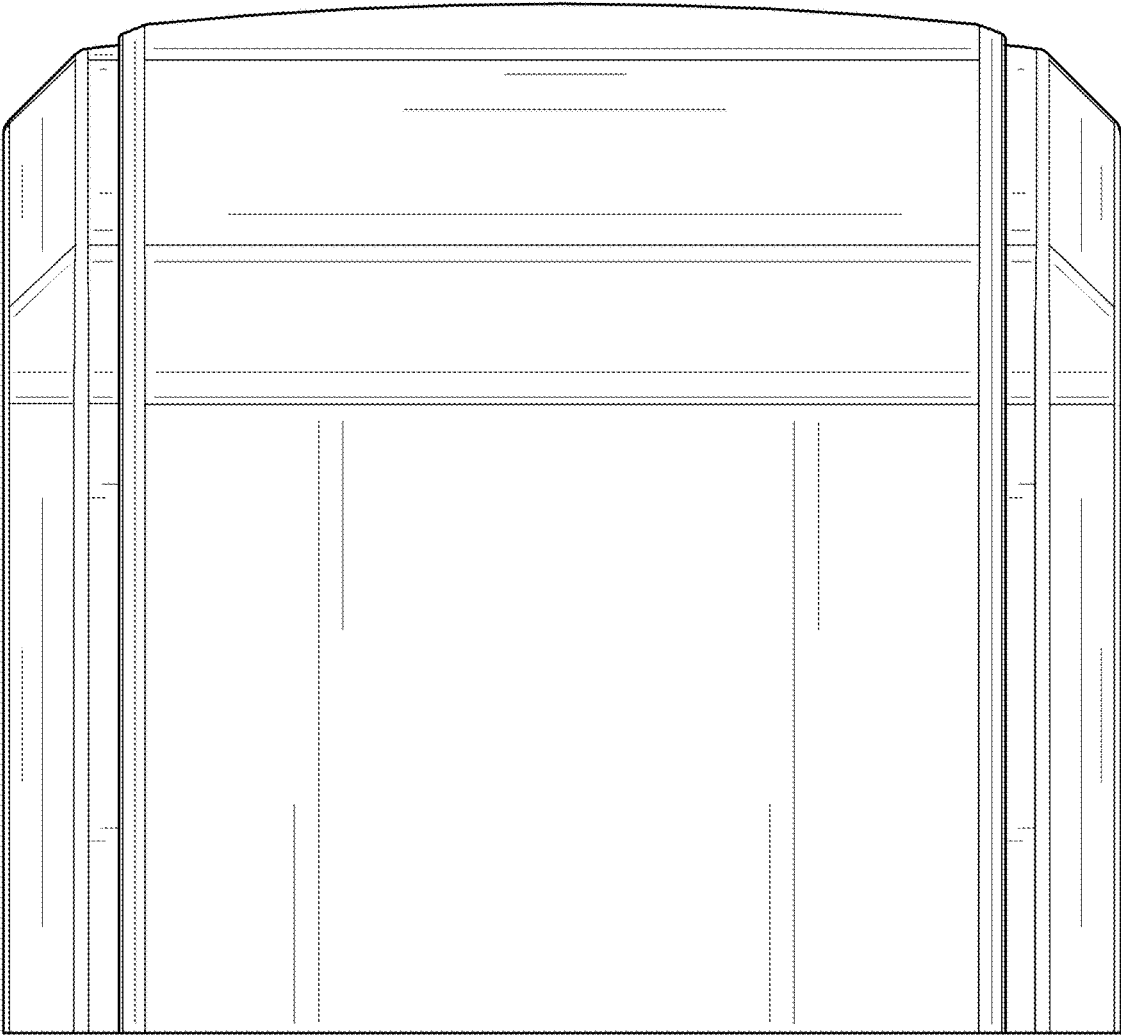


FIG. 2

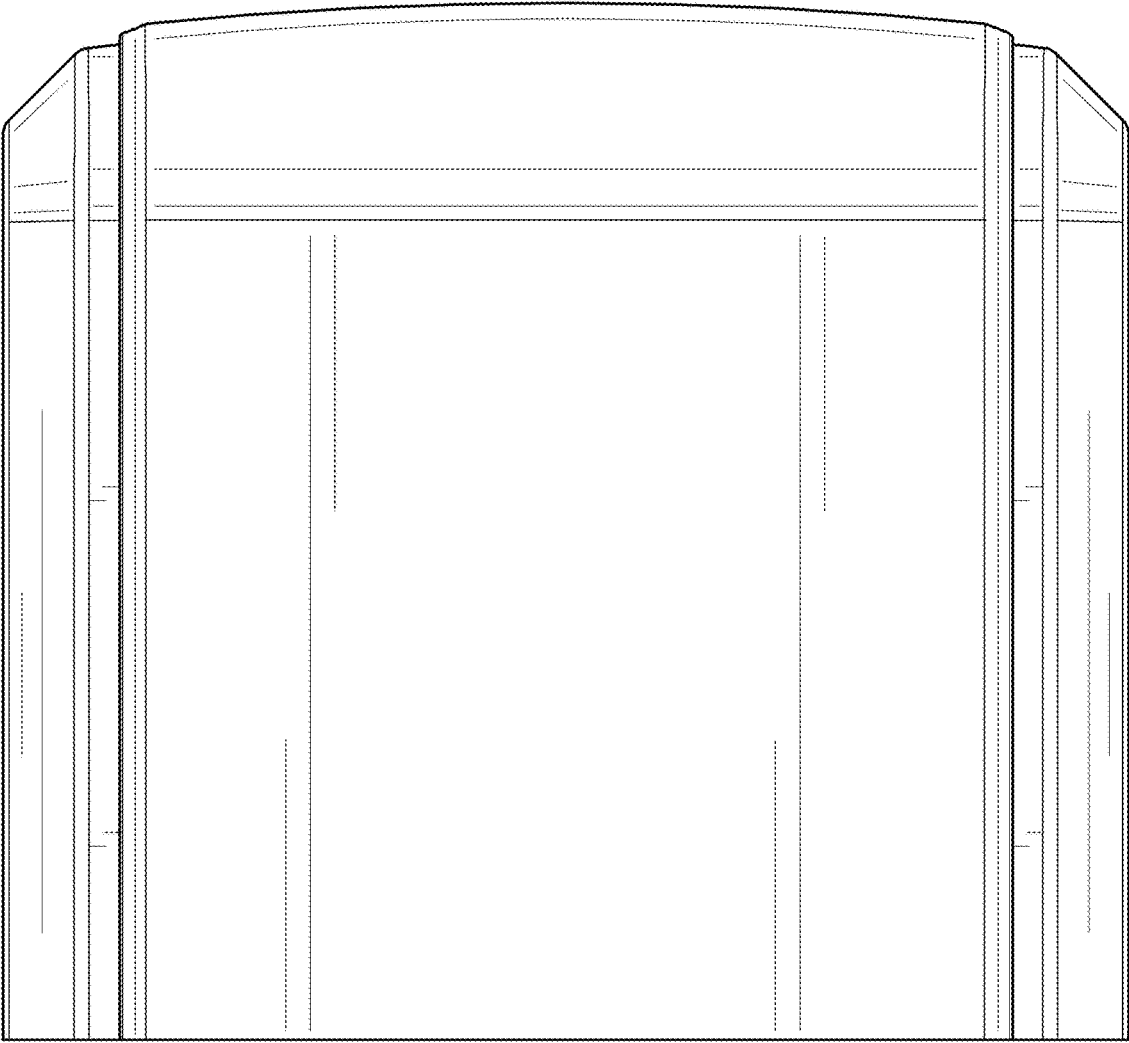


FIG. 3

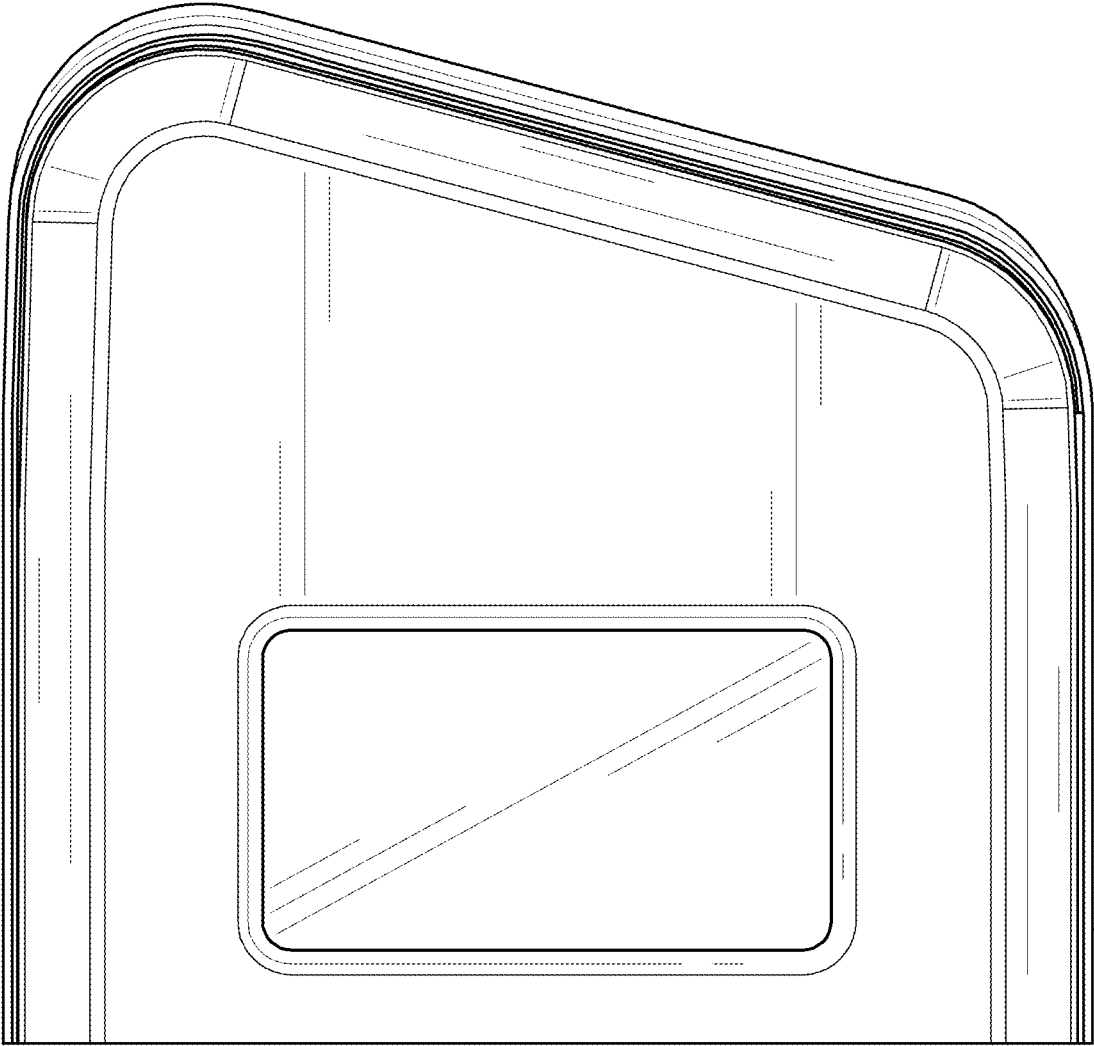


FIG. 4

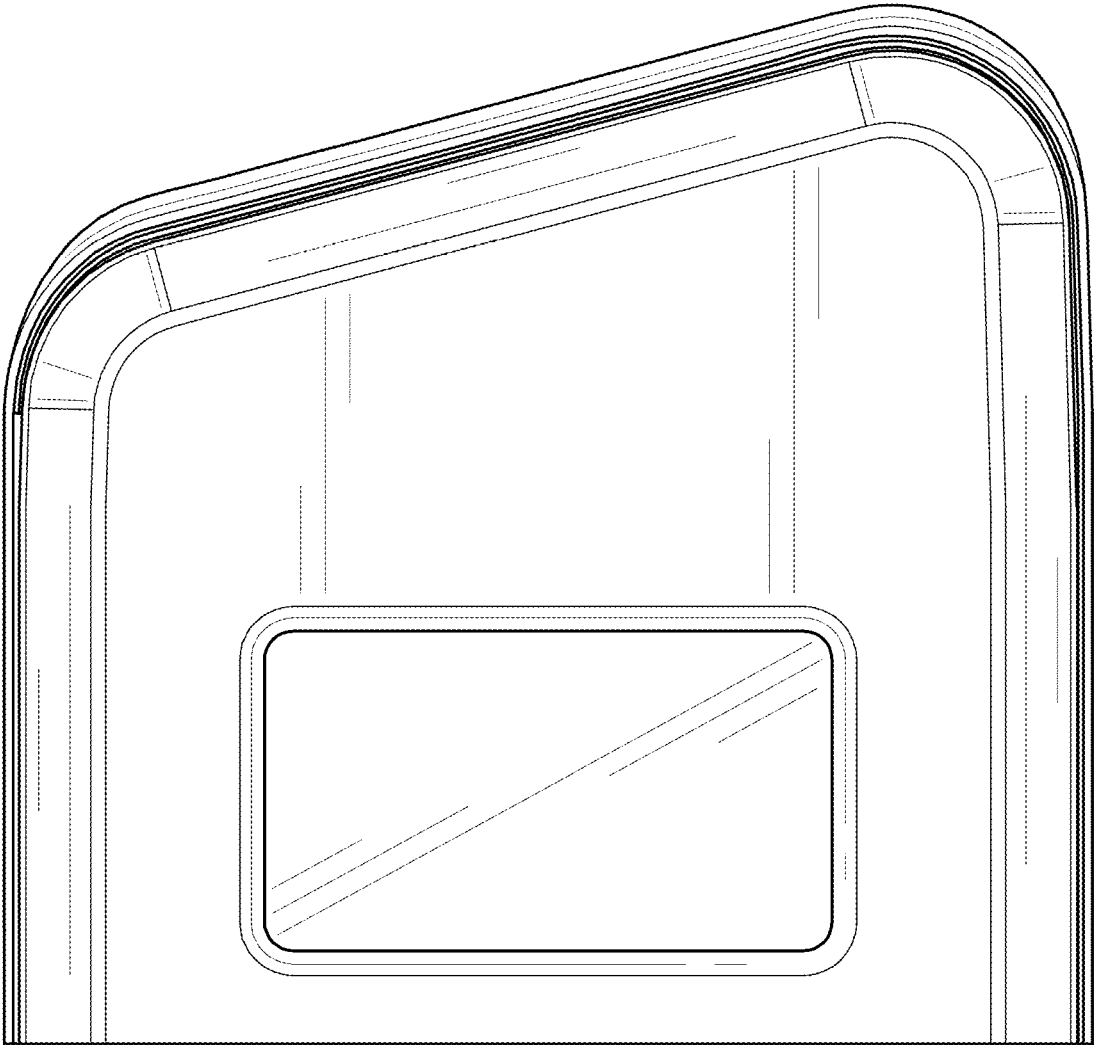


FIG. 5

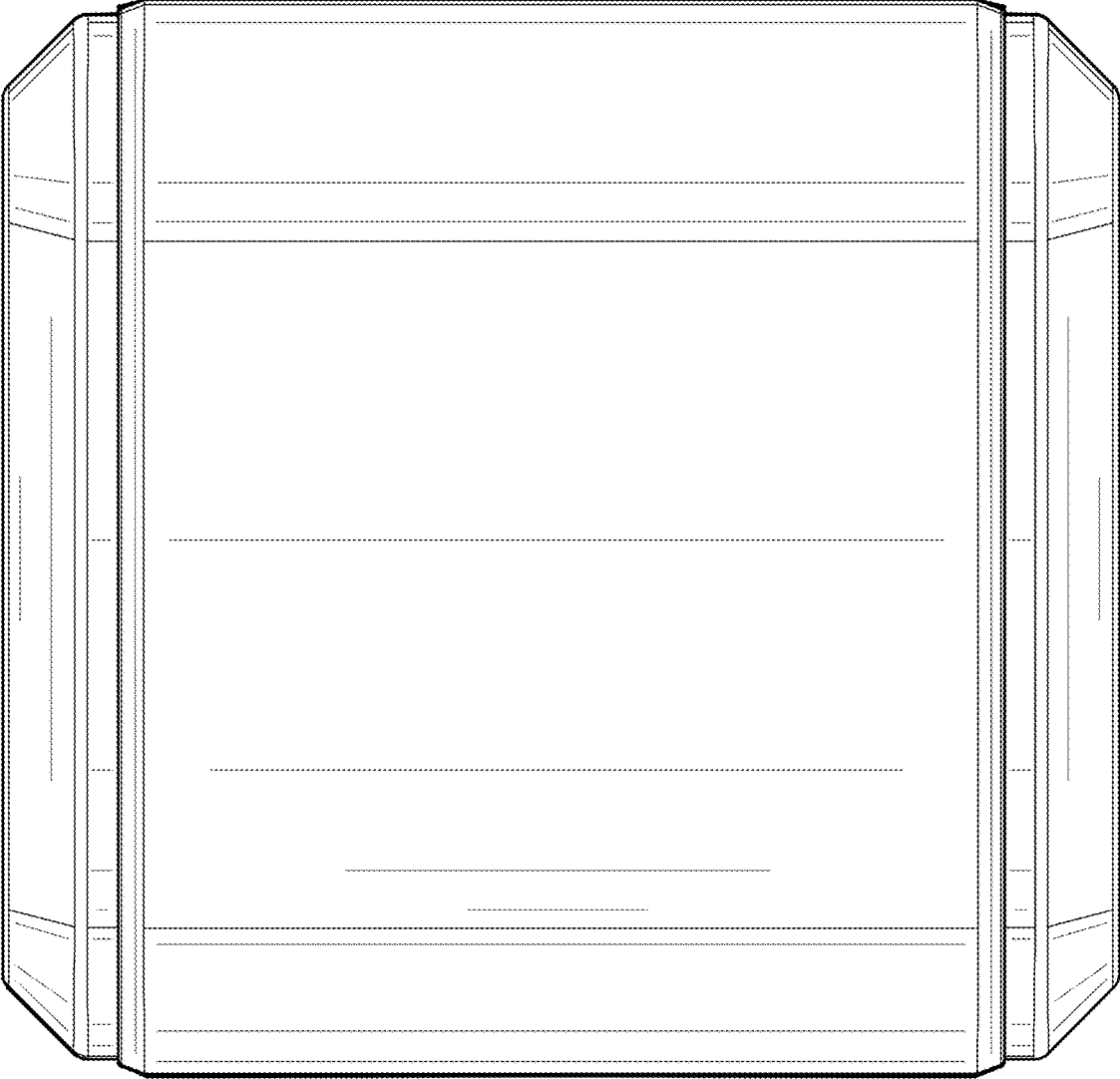


FIG. 6



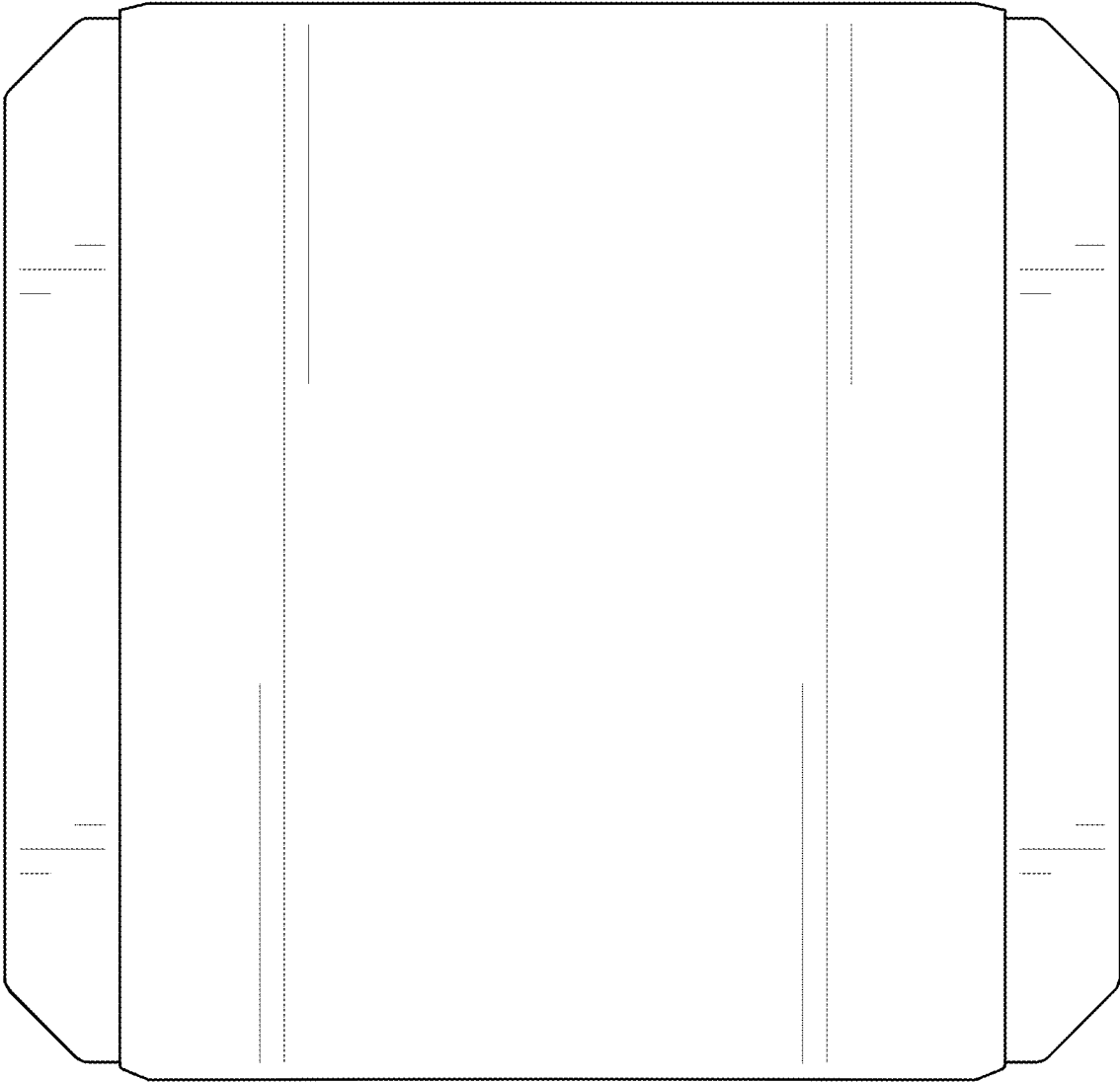


FIG. 7

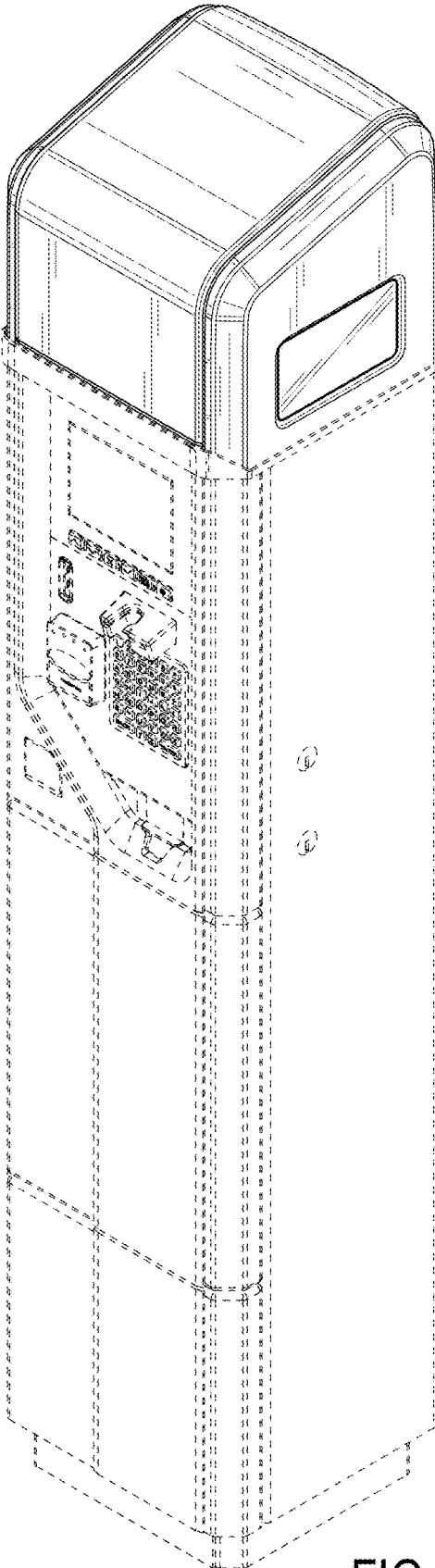


FIG. 8