



(12) **United States Design Patent**
King et al.

(10) **Patent No.:** **US D802,877 S**
(45) **Date of Patent:** **** Nov. 14, 2017**

(54) **MULTISPACE PARKING PAY STATION**

E05G 2700/00; E05G 2700/02; E05B
65/0075

(71) Applicant: **IPS GROUP INC.**, San Diego, CA
(US)

See application file for complete search history.

(72) Inventors: **David William King**, Rancho Santa Fe,
CA (US); **David Andrew Jones**,
Beecroft (AU); **Choor-Hong Tan**,
Wentworth Point (AU)

(56) **References Cited**

U.S. PATENT DOCUMENTS

(73) Assignee: **IPS GROUP INC.**, San Diego, CA
(US)

D161,888	S	*	2/1951	Wilkins	D10/42
D246,917	S	*	1/1978	Sauter	D21/325
D278,689	S		5/1985	Jupe		
4,615,280	A	*	10/1986	Shoop	G07F 19/205 106/644
5,065,156	A		11/1991	Bernier		
D331,996	S	*	12/1992	Fukutake	D99/28
D336,860	S		6/1993	Clough		
D342,209	S		12/1993	Clough		
D354,047	S	*	1/1995	Leggate	D10/109.1
D360,734	S		7/1995	Hall		
D360,737	S	*	7/1995	Helbig, Jr.	D99/28
D375,607	S		11/1996	Hall		
D396,655	S		8/1998	Anderson		
D412,289	S		7/1999	Winwood		
D430,045	S	*	8/2000	Muro	D10/43
D431,788	S	*	10/2000	Tuxen	D10/42
6,230,868	B1		5/2001	Tuxen et al.		
6,275,169	B1		8/2001	Krygler et al.		
D447,519	S	*	9/2001	Pinchuk	D21/324
D448,910	S		10/2001	Kit		
D450,253	S		11/2001	Marguet		
D454,421	S		3/2002	Jeon		
D460,005	S		7/2002	Jacquet		
6,505,774	B1		1/2003	Fulcher et al.		
D472,362	S		3/2003	Zerman et al.		
6,527,172	B1		3/2003	Lewis et al.		
D481,516	S		10/2003	Magee		
D485,417	S		1/2004	Magee		
D488,280	S		4/2004	Zerman		
D492,080	S		6/2004	Magee		
D492,081	S		6/2004	Magee		
D494,730	S		8/2004	Magee		
D497,814	S		11/2004	Dinotski		
D505,240	S		5/2005	Swaine et al.		
D510,751	S		10/2005	Magee et al.		
7,004,385	B1		2/2006	Douglass		
7,019,670	B2		3/2006	Bahar		
7,028,888	B2		4/2006	Laskowski et al.		
7,040,534	B2		5/2006	Turocy et al.		
7,131,576	B2		11/2006	Utz et al.		
D538,505	S		3/2007	Kang		
7,222,782	B2		5/2007	Lute, Jr. et al.		
7,284,692	B1		10/2007	Douglass		

(**) Term: **15 Years**

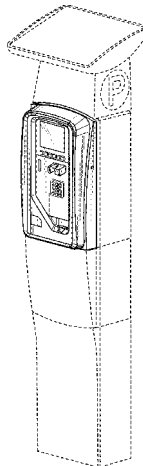
(21) Appl. No.: **29/567,866**

(22) Filed: **Jun. 13, 2016**

(51) **LOC (10) CL.** **06-04**

(52) **U.S. CL.**
USPC **D99/28**

(58) **Field of Classification Search**
USPC D10/40, 41, 42, 43, 44, 45; D99/28, 29,
D99/30, 34, 35, 36, 43, 99;
D14/300-302, 305, 307, 900-902;
D21/324, 325, 329, 369, 370
CPC ... G07B 5/02; G07B 5/04; G07B 5/06; G07B
11/02; G07B 11/03; G07B 15/02; G07B
1/00; G07B 1/02; G07B 3/00; G07B
3/02; G07B 3/04; G07B 5/00; G07C
1/30; G07F 17/00; G07F 17/24; G07F
17/242; G07F 17/248; G07F 19/20; G07F
19/201; G07F 19/202; G07F 19/203;
G07F 19/204; G07F 19/205; E05G 1/00;
E05G 1/005; E05G 1/02; E05G 1/024;
E05G 5/00; E05G 5/003; E05G 5/006;
E05G 5/02; E05G 7/00; E05G 7/001;



7,347,368 B1 * 3/2008 Gravelle G06Q 20/20
235/380

D570,920 S 6/2008 Choi

7,419,091 B1 9/2008 Scanlon

D579,795 S 11/2008 Martinez et al.

7,445,144 B2 11/2008 Schlabach et al.

D582,125 S 12/2008 Kang et al.

7,533,802 B1 5/2009 McGinley et al.

D596,374 S 7/2009 Kang

7,611,045 B1 * 11/2009 Lute G06Q 20/10
235/379

7,624,919 B2 12/2009 Meek et al.

7,699,224 B2 4/2010 Mole

D625,305 S 10/2010 Bleck

D629,585 S 12/2010 Bleck et al.

D632,740 S 2/2011 Adeline

7,891,546 B1 2/2011 Steinbach et al.

D645,223 S 9/2011 Bleck

D652,872 S 1/2012 Mougin

D653,014 S 1/2012 Rohan

D653,420 S 1/2012 Rohan

D653,421 S 1/2012 Rohan

D653,424 S 1/2012 Rohan

D672,525 S 12/2012 Lee et al.

D674,985 S * 1/2013 Lee D14/900

D677,035 S 2/2013 Lee

D677,714 S 3/2013 Helgesson et al.

D680,156 S 4/2013 Hernandez et al.

D681,717 S 5/2013 Helgesson et al.

D684,745 S 6/2013 Reuter

D691,165 S 10/2013 Attoma

D693,983 S 11/2013 Budde et al.

8,573,484 B1 * 11/2013 Irudayam G07F 19/201
235/375

D696,484 S 12/2013 Lee

D696,485 S 12/2013 Lee

D702,913 S 4/2014 Budde

D702,914 S 4/2014 Budde

D716,515 S 10/2014 Cha

D722,740 S 2/2015 Budde

D724,290 S 3/2015 Cha

D724,811 S 3/2015 Reitinger

D724,812 S 3/2015 Cha et al.

D728,190 S 4/2015 Sheley

D735,437 S * 7/2015 Randall D99/28

D735,438 S 7/2015 Randall

D735,439 S 7/2015 Randall

D735,440 S 7/2015 Randall

D735,963 S 8/2015 Randall

D735,964 S 8/2015 Randall

D735,965 S 8/2015 Randall

D739,637 S * 9/2015 Randall D99/28

D739,638 S 9/2015 Randall

D739,639 S 9/2015 Randall

D742,090 S 10/2015 Randall

D746,015 S * 12/2015 King D99/28

D748,364 S * 1/2016 King D99/28

D748,888 S * 2/2016 King D99/28

D755,649 S 5/2016 King et al.

D762,040 S * 7/2016 King D99/28

D769,570 S * 10/2016 Kraft D99/28

D769,571 S * 10/2016 Lee D99/28

D769,572 S * 10/2016 Park D99/28

D779,772 S * 2/2017 King D99/28

D779,774 S * 2/2017 King D99/28

2004/0016796 A1 1/2004 Hanna et al.

2004/0243526 A1 12/2004 Krygler et al.

2004/0262379 A1 12/2004 Gomes

2005/0029340 A1 2/2005 Ferraro

2006/0152385 A1 7/2006 Mandy

2007/0046651 A1 3/2007 Sinclair et al.

2007/0276724 A1 * 11/2007 Catt G07B 15/00
705/13

2008/0257965 A1 10/2008 Klein et al.

2008/0265019 A1 10/2008 Artino et al.

2008/0296365 A1 12/2008 Schliebe

2009/0057398 A1 3/2009 Douglass et al.

2010/0161489 A1 6/2010 Goodall et al.

2010/0187300 A1 7/2010 Ramachandran et al.

2010/0241564 A1 9/2010 Miller et al.

2010/0243729 A1 9/2010 Russell et al.

2011/0133613 A1 6/2011 Descamps et al.

2012/0286036 A1 11/2012 Jones et al.

2014/0165885 A1 * 6/2014 Denny E05G 1/024
109/50

FOREIGN PATENT DOCUMENTS

AT 507762 A1 * 7/2010 G07F 19/20

CA 2517717 A1 * 9/2004 G06Q 20/18

EP 1227448 A2 * 7/2002 G07D 11/0009

FR 2928678 A1 * 9/2009 E05B 47/0692

FR 2979726 A1 * 3/2013 G07F 19/201

JP 3441832 B2 * 9/2003 G07B 1/00

JP 4247079 B2 * 4/2009 G07B 5/00

JP 5238316 B2 * 7/2013 G07B 5/00

WO WO 02084600 A1 * 10/2002 G06Q 20/127

WO WO 03065322 A1 * 8/2003 G07B 15/02

WO WO 2010062105 A2 * 6/2010 G07F 19/20

WO WO 2014127384 A1 * 8/2014 G07F 19/205

OTHER PUBLICATIONS

Co-pending U.S. Appl. No. 29/567,861, filed Jun. 13, 2016.

Co-pending U.S. Appl. No. 29/567,862, filed Jun. 13, 2016.

Co-pending U.S. Appl. No. 29/567,867, filed Jun. 13, 2016.

Co-pending U.S. Appl. No. 29/567,869, filed Jun. 13, 2016.

Co-pending U.S. Appl. No. 29/567,865, filed Jun. 13, 2016.

U.S. Appl. No. 29/477,176 Office Action dated May 4, 2015.

U.S. Appl. No. 29/477,200 Office Action dated Apr. 9, 2015.

U.S. Appl. No. 29/477,201 Office Action dated Apr. 9, 2015.

U.S. Appl. No. 29/477,204 Office Action dated Apr. 9, 2015.

U.S. Appl. No. 29/477,321 Office Action dated May 15, 2015.

U.S. Appl. No. 29/477,324 Office Action dated Apr. 23, 2015.

U.S. Appl. No. 29/477,329 Office Action dated May 22, 2015.

U.S. Appl. No. 29/477,402 Office Action dated Apr. 9, 2015.

* cited by examiner

Primary Examiner — Sheryl Lane

Assistant Examiner — Samantha N Wood

(74) Attorney, Agent, or Firm — Wilson Sonsini Goodrich & Rosati

(57)

CLAIM

The ornamental design for a multispace parking pay station, as shown and described.

DESCRIPTION

FIG. 1 is a front elevational view of a multispace parking pay station, showing our new design;

FIG. 2 is a right side elevational view thereof;

FIG. 3 is a left side elevational view thereof;

FIG. 4 is a rear elevational view thereof;

FIG. 5 is a top plan view thereof;

FIG. 6 is a bottom plan view thereof; and,

FIG. 7 is a top front perspective view thereof.

The broken lines shown in the drawings represent portions of the multispace parking pay station that form no part of the claimed design.

1 Claim, 5 Drawing Sheets

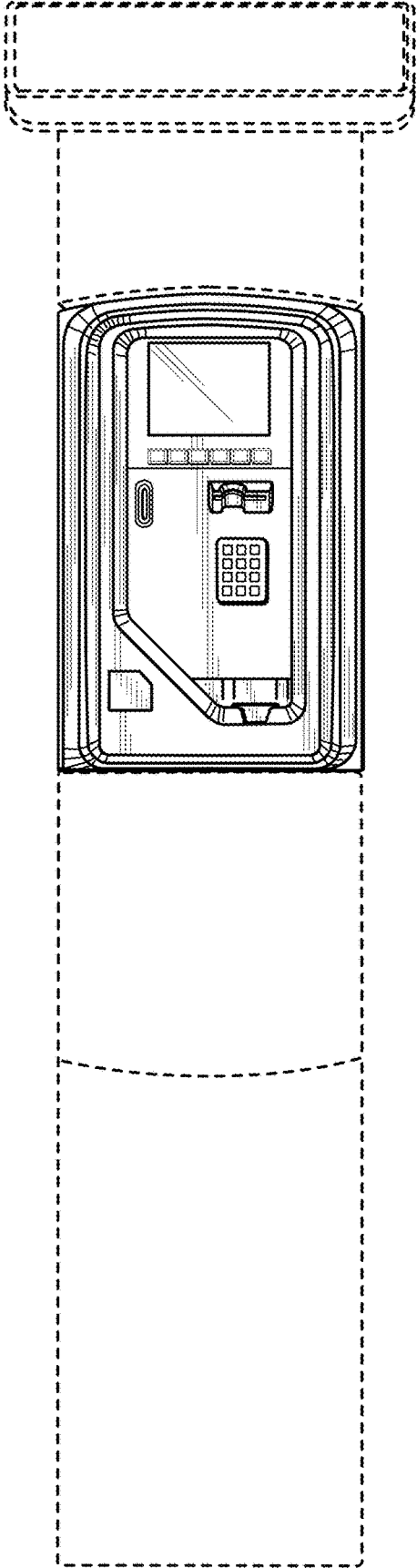


FIG. 1

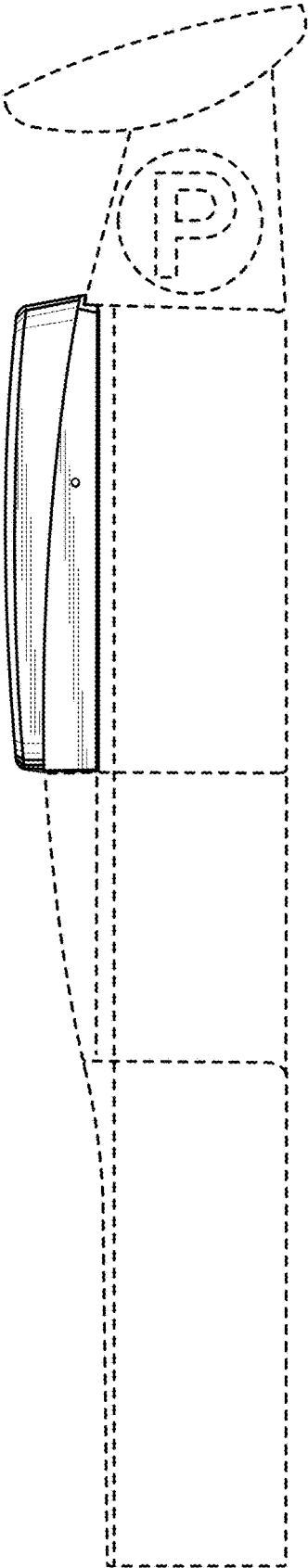


FIG. 2

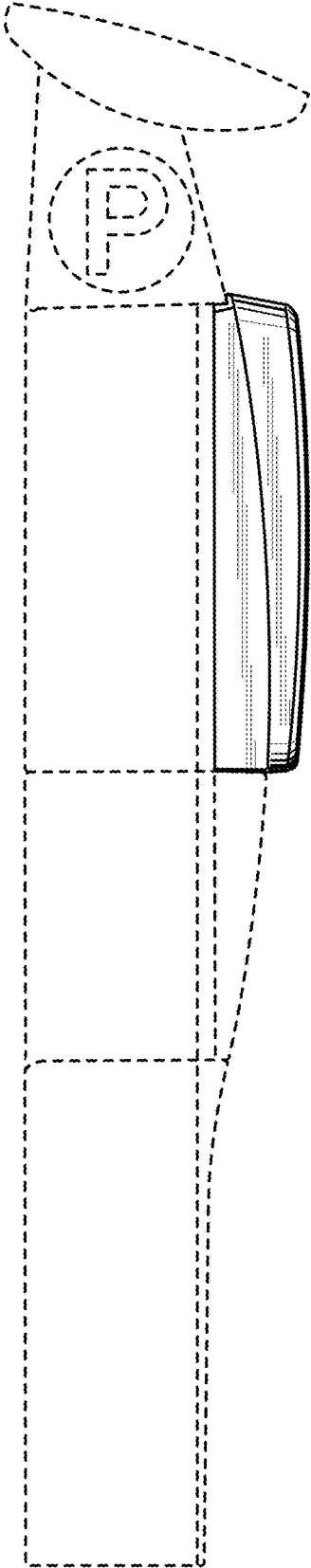


FIG. 3

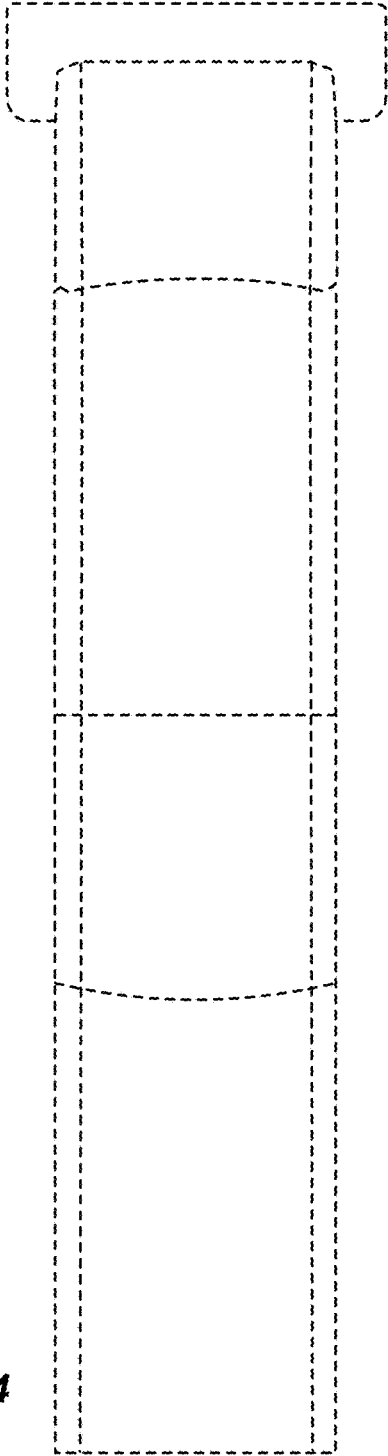


FIG. 4



FIG. 5

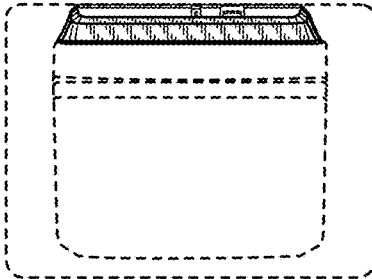


FIG. 6

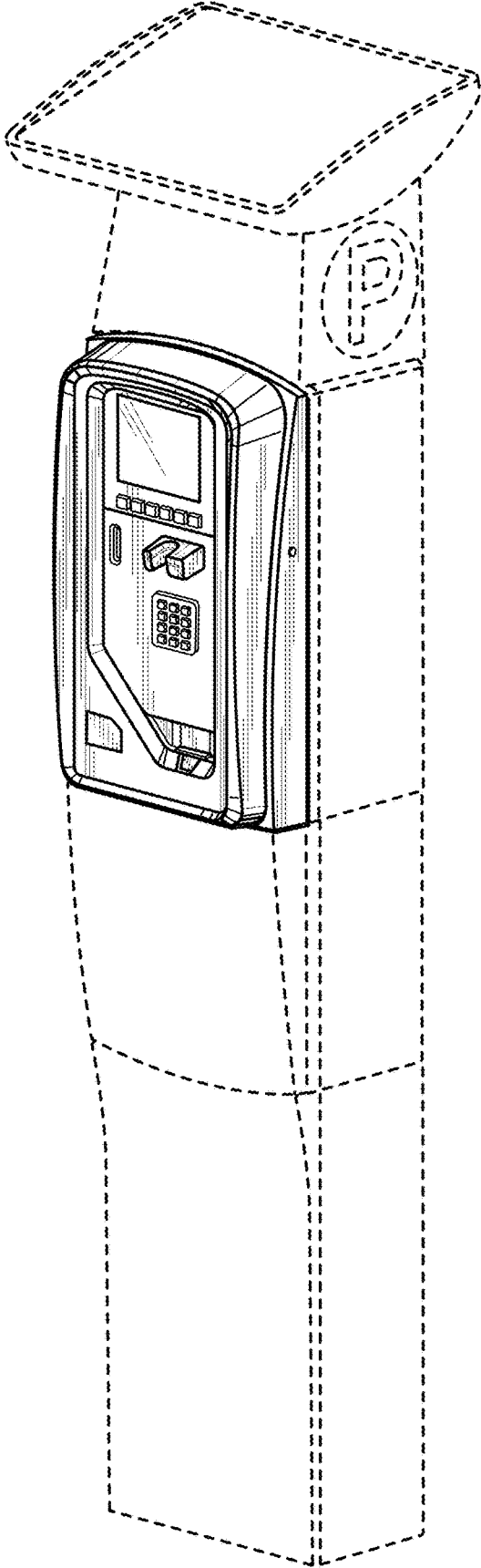


FIG. 7