



(12) **United States Design Patent**
Randall

(10) **Patent No.:** **US D739,638 S**
(45) **Date of Patent:** **** Sep. 22, 2015**

(54) **MULTISPACE PARKING PAY STATION**

(71) Applicant: **IPS Group, Inc.**, San Diego, CA (US)

(72) Inventor: **Chad P. Randall**, San Diego, CA (US)

(73) Assignee: **IPS GROUP, INC.**, San Diego, CA (US)

(**) Term: **14 Years**

(21) Appl. No.: **29/477,201**

(22) Filed: **Dec. 19, 2013**

(51) **LOC (10) Cl.** **99-00**

(52) **U.S. Cl.**
USPC **D99/28**

(58) **Field of Classification Search**
USPC D99/28, 34, 35, 36, 43, 99;
D14/300-302, 305, 307, 900-902;
D18/3.1-3.3, 4.1-4.6, 12.1-12.3;
D21/324, 325, 329, 369, 370; 101/66;
109/1 R, 1 V, 2, 23, 24.1, 25, 58, 58.5,
109/66; 446/8-13; 705/16, 17, 18, 42, 43,
705/44, 45; 235/51, 379, 380, 382
See application file for complete search history.

(56) **References Cited**

U.S. PATENT DOCUMENTS

D278,689 S	5/1985	Jupe	
5,065,156 A	11/1991	Bernier	
D336,860 S	6/1993	Clough	
D342,209 S	12/1993	Clough	
D360,734 S	7/1995	Hall	
D375,607 S *	11/1996	Hall	D99/28
D396,655 S	8/1998	Anderson	
D412,289 S	7/1999	Winwood	
D431,788 S	10/2000	Tuxen et al.	
6,230,868 B1	5/2001	Tuxen et al.	
6,275,169 B1	8/2001	Krygler et al.	
D448,910 S	10/2001	Kit	
D450,253 S	11/2001	Marguet	
D454,421 S *	3/2002	Jeon et al.	D99/28

D460,005 S	7/2002	Jacquet	
6,505,774 B1	1/2003	Fulcher et al.	
D472,362 S *	3/2003	Zerman et al.	D99/28
D481,516 S *	10/2003	Magee et al.	D99/28
D485,417 S *	1/2004	Magee et al.	D99/28
D488,280 S *	4/2004	Zerman et al.	D99/28
D492,080 S *	6/2004	Magee et al.	D99/28
D492,081 S	6/2004	Magee	
D494,730 S *	8/2004	Magee et al.	D99/28
D497,814 S	11/2004	dinotsky et al.	
D505,240 S	5/2005	Swaine et al.	
D510,751 S	10/2005	Magee et al.	
7,004,385 B1 *	2/2006	Douglass	235/379

(Continued)

OTHER PUBLICATIONS

U.S. Appl. No. 29/466,268, filed Sep. 5, 2013, Randall et al.

(Continued)

Primary Examiner — Elizabeth J Oswecki

(74) *Attorney, Agent, or Firm* — Wilson Sonsini Goodrich & Rosati

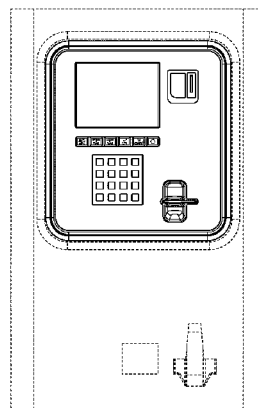
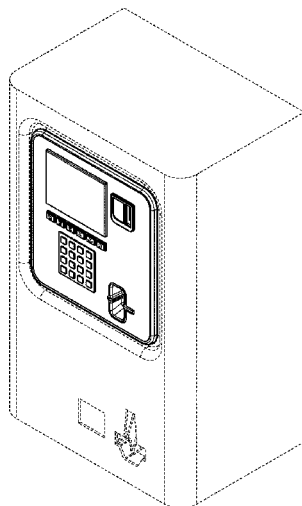
(57) **CLAIM**

The ornamental design for a multispace parking pay station, as shown and described.

DESCRIPTION

FIG. 1 is a top front perspective view of a multispace parking pay station, showing my new design; FIG. 2 is a front elevational view thereof; FIG. 3 is a back elevational view thereof; FIG. 4 is a left side elevational view thereof; FIG. 5 is a right side elevational view thereof; FIG. 6 is a top plan view thereof; and, FIG. 7 is a bottom plan view thereof. The broken lines shown in the drawings represent portions of the multispace parking pay station that form no part of the claimed design.

1 Claim, 7 Drawing Sheets



(56)

References Cited

U.S. PATENT DOCUMENTS

7,019,670 B2 3/2006 Bahar
 7,028,888 B2 4/2006 Laskowski et al.
 7,040,534 B2 5/2006 Turocy et al.
 D538,505 S 3/2007 Kang
 7,222,782 B2 * 5/2007 Lute et al. 235/379
 7,284,692 B1 10/2007 Douglass
 D570,920 S 6/2008 Choi
 7,419,091 B1 9/2008 Scanlon
 D579,795 S 11/2008 Martinez et al.
 D582,125 S 12/2008 Kang et al.
 7,533,802 B1 * 5/2009 McGinley et al. 235/379
 D596,374 S * 7/2009 Kang et al. D99/28
 7,624,919 B2 12/2009 Meek et al.
 7,699,224 B2 4/2010 Molé
 D625,305 S * 10/2010 Bleck et al. D14/307
 D632,740 S 2/2011 Adeline
 D645,223 S * 9/2011 Bleck et al. D99/28
 D652,872 S 1/2012 Mougin et al.
 D653,014 S * 1/2012 Rohan et al. D99/28
 D653,420 S 1/2012 Rohan
 D653,421 S * 1/2012 Rohan et al. D99/28
 D653,424 S * 1/2012 Rohan et al. D99/28
 D672,525 S 12/2012 Lee et al.
 D674,985 S 1/2013 Lee
 D677,035 S * 2/2013 Lee et al. D99/28
 D680,156 S 4/2013 Hernandez et al.
 D681,717 S 5/2013 Helgesson et al.
 D684,745 S 6/2013 Reuter
 D691,165 S 10/2013 Attoma
 D693,983 S 11/2013 Budde et al.
 D696,484 S 12/2013 Lee
 D696,485 S 12/2013 Lee
 D702,913 S 4/2014 Budde
 D702,914 S 4/2014 Budde
 D716,515 S 10/2014 Cha

D722,740 S 2/2015 Budde
 2004/0016796 A1 1/2004 Hanna et al.
 2004/0243526 A1 12/2004 Krygler et al.
 2005/0029340 A1 2/2005 Ferraro
 2006/0152385 A1 7/2006 Mandy
 2007/0046651 A1 3/2007 Sinclair et al.
 2007/0276724 A1 11/2007 Catt
 2008/0257965 A1 10/2008 Klein et al.
 2008/0296365 A1 12/2008 Schliebe
 2009/0057398 A1 3/2009 Douglass et al.
 2010/0161489 A1 6/2010 Goodall et al.
 2010/0243729 A1 9/2010 Russell et al.
 2011/0133613 A1 6/2011 Descamps et al.
 2012/0286036 A1 11/2012 Jones et al.

OTHER PUBLICATIONS

U.S. Appl. No. 29/466,269, filed Sep. 5, 2013, Randall et al.
 U.S. Appl. No. 29/466,267, filed Sep. 5, 2013, Randall et al.
 U.S. Appl. No. 29/477,176, filed Dec. 19, 2013, Randall et al.
 U.S. Appl. No. 29/477,195, filed Dec. 19, 2013, Randall et al.
 U.S. Appl. No. 29/477,196, filed Dec. 19, 2013, Randall et al.
 U.S. Appl. No. 29/477,200, filed Dec. 19, 2013, Randall et al.
 U.S. Appl. No. 29/477,204, filed Dec. 19, 2013, Randall et al.
 U.S. Appl. No. 29/477,321, filed Dec. 20, 2013, Randall et al.
 U.S. Appl. No. 29/477,324, filed Dec. 20, 2013, Randall et al.
 U.S. Appl. No. 29/477,329, filed Dec. 20, 2013, Randall et al.
 U.S. Appl. No. 29/477,339, filed Dec. 20, 2013, Randall et al.
 U.S. Appl. No. 29/477,402, filed Dec. 20, 2013, Randall et al.
 U.S. Appl. No. 29/477,405, filed Dec. 20, 2013, Randall et al.
 U.S. Appl. No. 29/477,324 Office Action dated Apr. 23, 2015.
 U.S. Appl. No. 29/477,176 Office Action dated May 4, 2015.
 U.S. Appl. No. 29/477,200 Office Action dated Apr. 9, 2015.
 U.S. Appl. No. 29/477,204 Office Action dated Apr. 9, 2015.
 U.S. Appl. No. 29/477,402 Office Action dated Apr. 9, 2015.

* cited by examiner

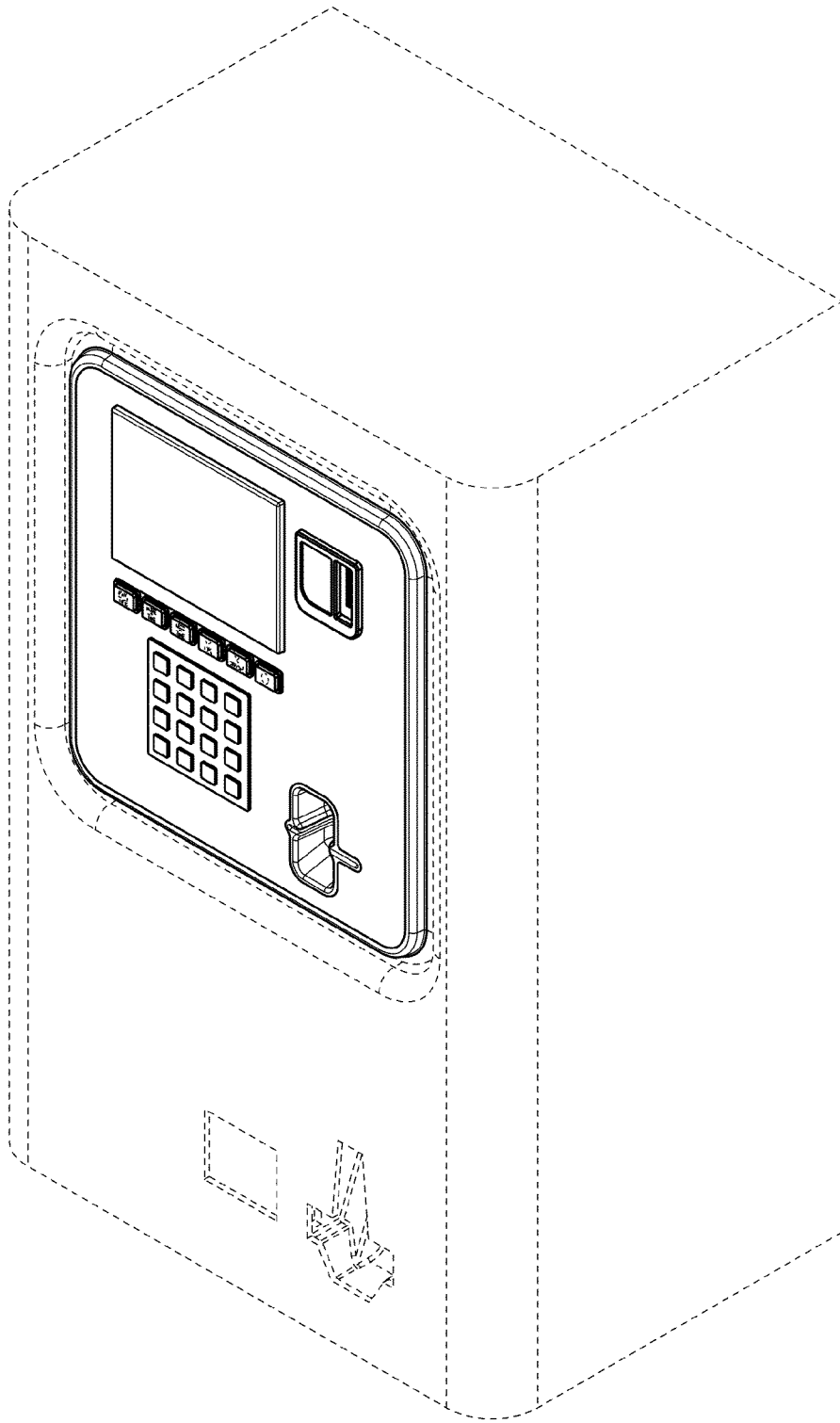


FIG. 1

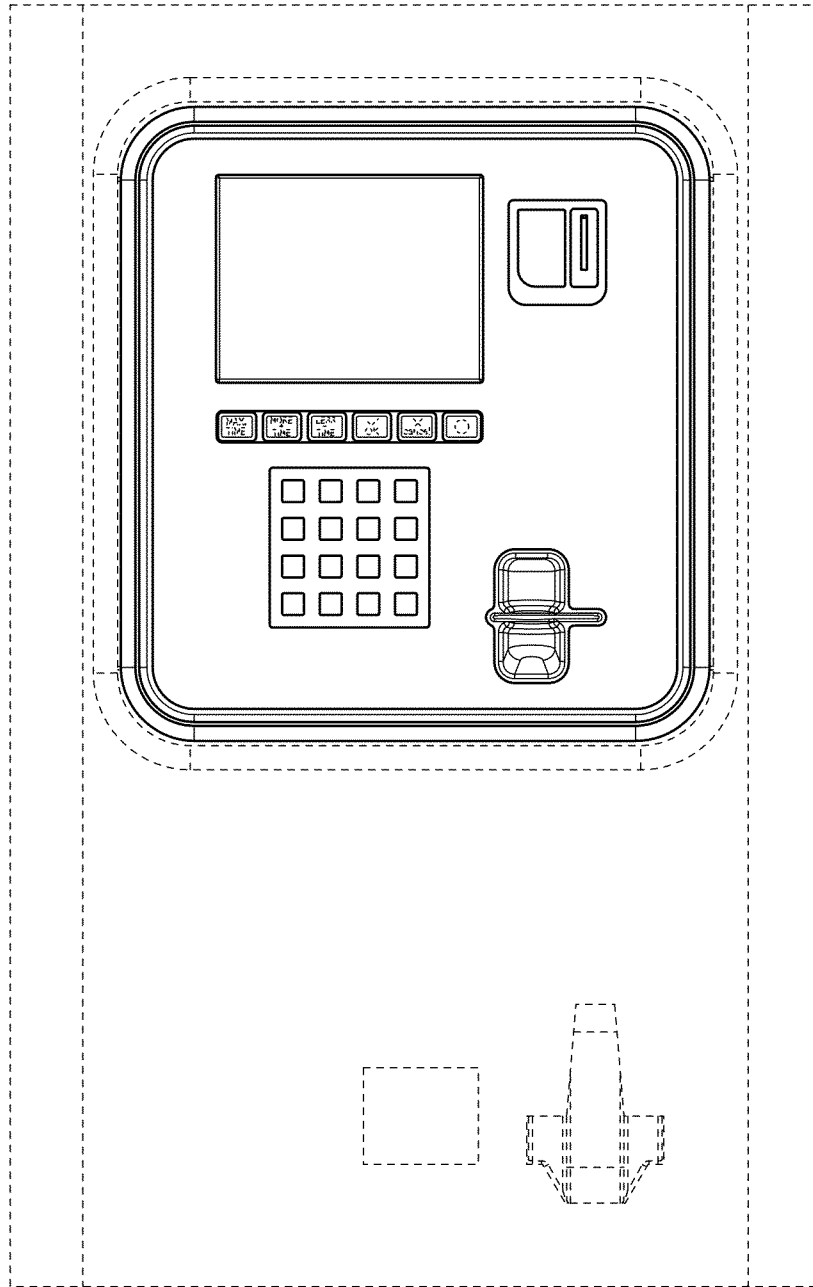


FIG. 2



FIG. 3

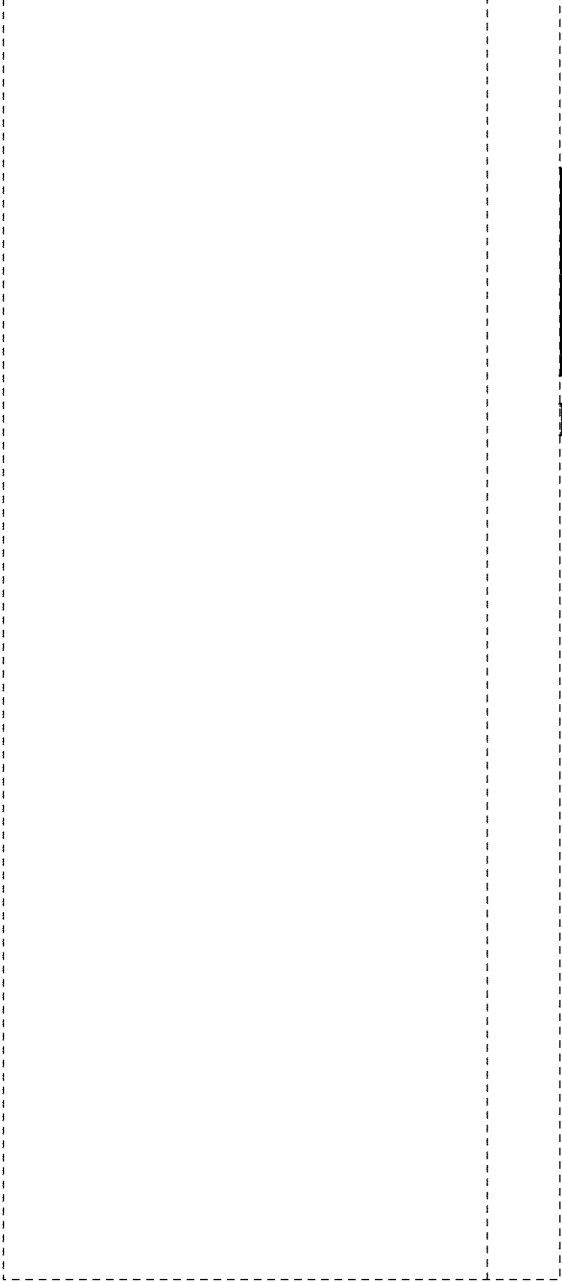


FIG. 4

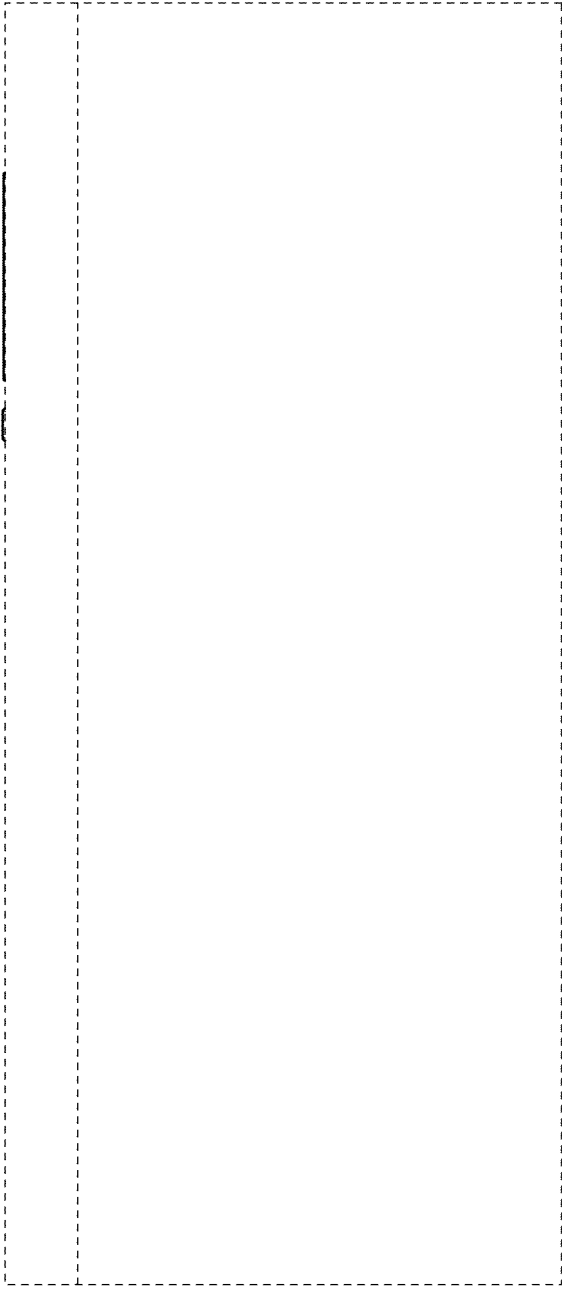


FIG. 5



FIG. 6

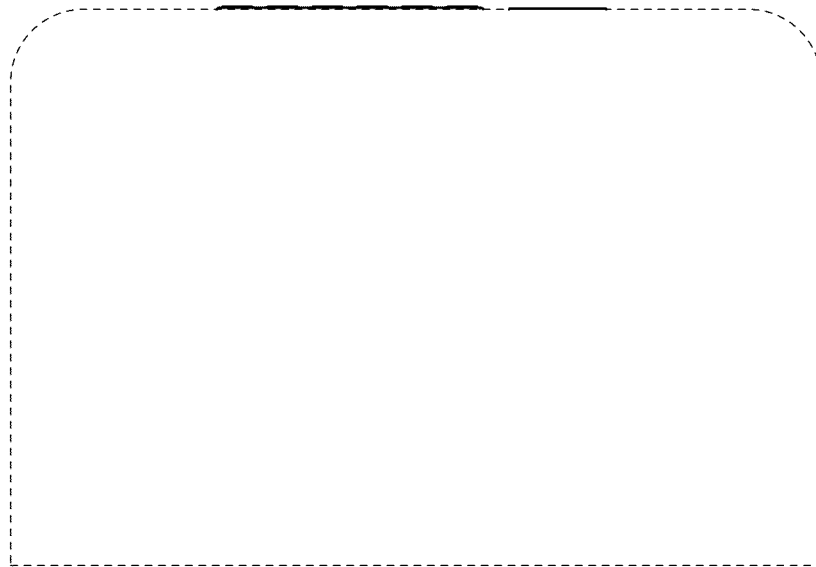


FIG. 7