



(12) **United States Design Patent**  
**King et al.**

(10) **Patent No.:** **US D707,140 S**  
(45) **Date of Patent:** **\*\* Jun. 17, 2014**

(54) **PARKING METER**  
(71) Applicant: **IPS Group Inc.**, San Diego, CA (US)  
(72) Inventors: **David William King**, San Diego, CA (US); **Alexander Schwarz**, San Diego, CA (US); **Stephen John Hunter**, San Diego, CA (US)  
(73) Assignee: **IPS Group Inc.**, San Diego, CA (US)  
(\*\*) Term: **14 Years**  
(21) Appl. No.: **29/437,127**

D388,231 S \* 12/1997 Magee et al. .... D99/28  
RE37,193 E \* 5/2001 Ward et al. .... 194/217  
6,312,152 B2 \* 11/2001 Dee et al. .... 368/90  
6,747,575 B2 \* 6/2004 Chauvin et al. .... 340/932.2  
6,874,340 B1 \* 4/2005 Berman ..... 70/161  
6,889,899 B2 \* 5/2005 Silberberg ..... 235/384  
D575,168 S \* 8/2008 King et al. .... D10/42  
D587,141 S \* 2/2009 King et al. .... D10/42  
7,854,310 B2 \* 12/2010 King et al. .... 194/350  
2008/0245638 A1 \* 10/2008 King et al. .... 194/350  
2009/0026842 A1 \* 1/2009 Hunter et al. .... 307/66  
2009/0095593 A1 \* 4/2009 King et al. .... 194/302  
2009/0159674 A1 \* 6/2009 King et al. .... 235/382  
2009/0192950 A1 \* 7/2009 King et al. .... 705/418  
2011/0057815 A1 \* 3/2011 King et al. .... 340/932.2  
2011/0060653 A1 \* 3/2011 King et al. .... 705/14.58  
2011/0203901 A1 \* 8/2011 King et al. .... 194/211

(22) Filed: **Nov. 13, 2012**  
(51) **LOC (10) Cl.** ..... **10-03**  
(52) **U.S. Cl.**  
USPC ..... **D10/42**  
(58) **Field of Classification Search**  
USPC ..... D10/40, 41, 42, 43, 44, 45; D20/6;  
D99/28; 194/211, 217, 277, 302, 350,  
194/351, 900, 902; 368/89, 90, 92;  
398/202; 235/382, 384; 340/932.2;  
705/418  
See application file for complete search history.

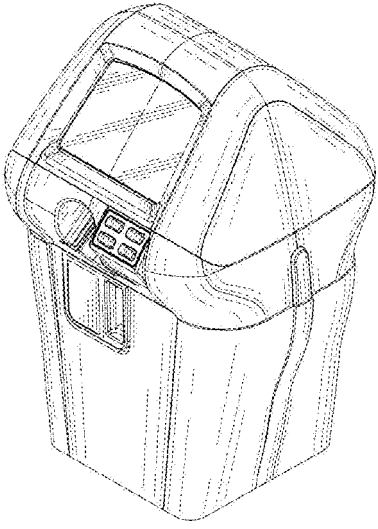
\* cited by examiner  
*Primary Examiner* — Caron D Veynar  
*Assistant Examiner* — Martie K Holtje  
(74) *Attorney, Agent, or Firm* — Wilson Sonsini Goodrich & Rosati

(56) **References Cited**  
U.S. PATENT DOCUMENTS  
D107,577 S \* 12/1937 McGay et al. .... D10/42  
2,229,183 A \* 1/1941 Mitchell ..... 194/277  
D166,753 S \* 5/1952 Jones ..... D10/42  
2,596,124 A \* 5/1952 Broussard ..... 368/90  
D181,359 S \* 11/1957 Jones ..... D10/42  
3,486,324 A \* 12/1969 Carl-Axel ..... 368/90  
4,031,991 A \* 6/1977 Malott ..... 194/217  
D319,077 S \* 8/1991 Arato et al. .... D20/6  
5,155,614 A \* 10/1992 Carmen et al. .... 398/202  
5,563,491 A \* 10/1996 Tseng ..... 320/109  
5,617,942 A \* 4/1997 Ward et al. .... 194/217

(57) **CLAIM**  
The ornamental design for a parking meter, as shown and described.

**DESCRIPTION**  
FIG. 1 is a right front perspective view of a parking meter showing our new design;  
FIG. 2 is a front elevational view thereof;  
FIG. 3 is a rear elevational view thereof;  
FIG. 4 is a left side elevational view thereof;  
FIG. 5 is a right side elevational view thereof;  
FIG. 6 is a top plan view thereof; and,  
FIG. 7 is a bottom plan view thereof.  
The broken lines in FIGS. 3 and 7 have been shown for the purpose of illustrating portions of the parking meter that form no part of the claimed design.

**1 Claim, 6 Drawing Sheets**



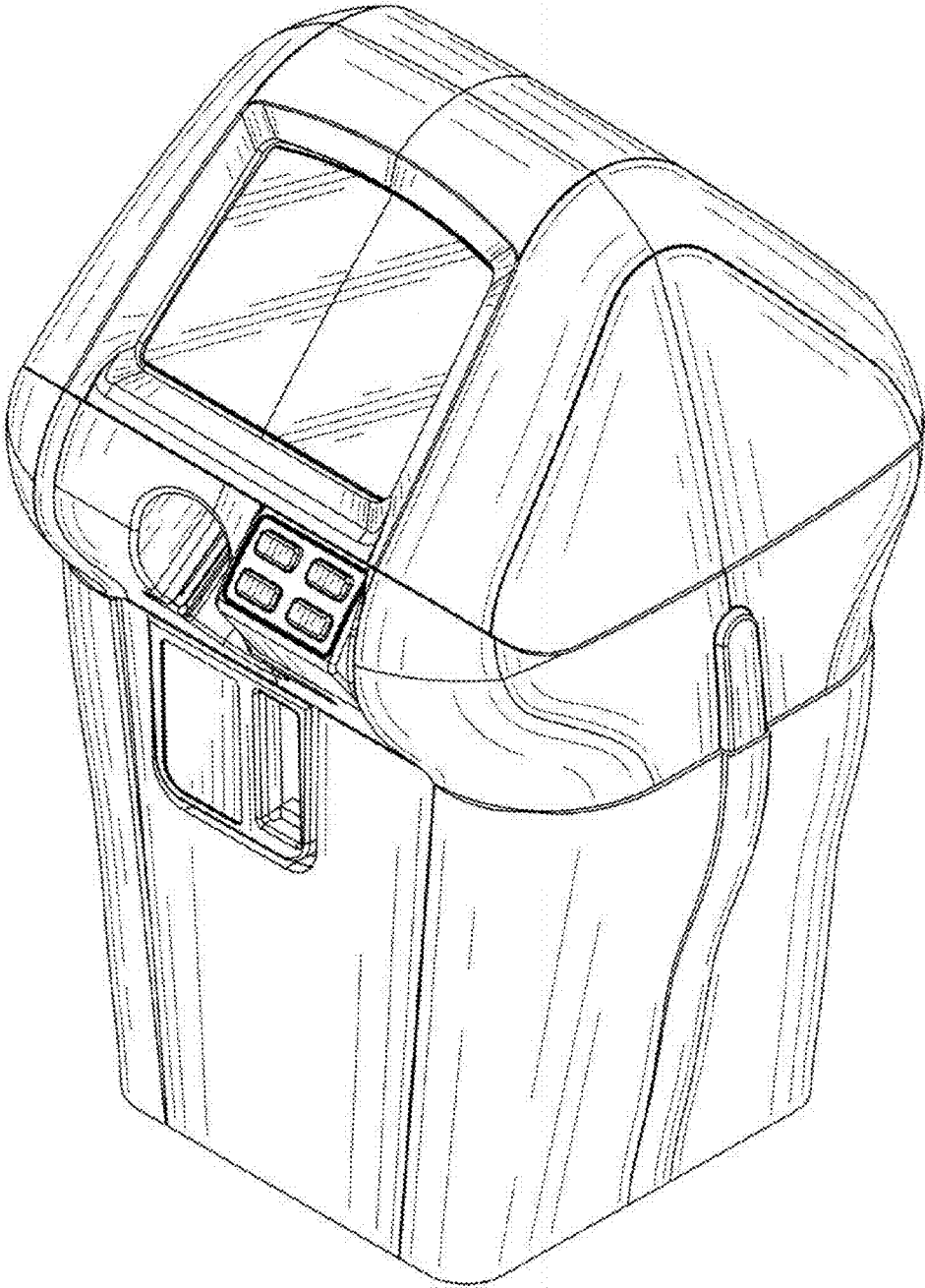


FIG. 1

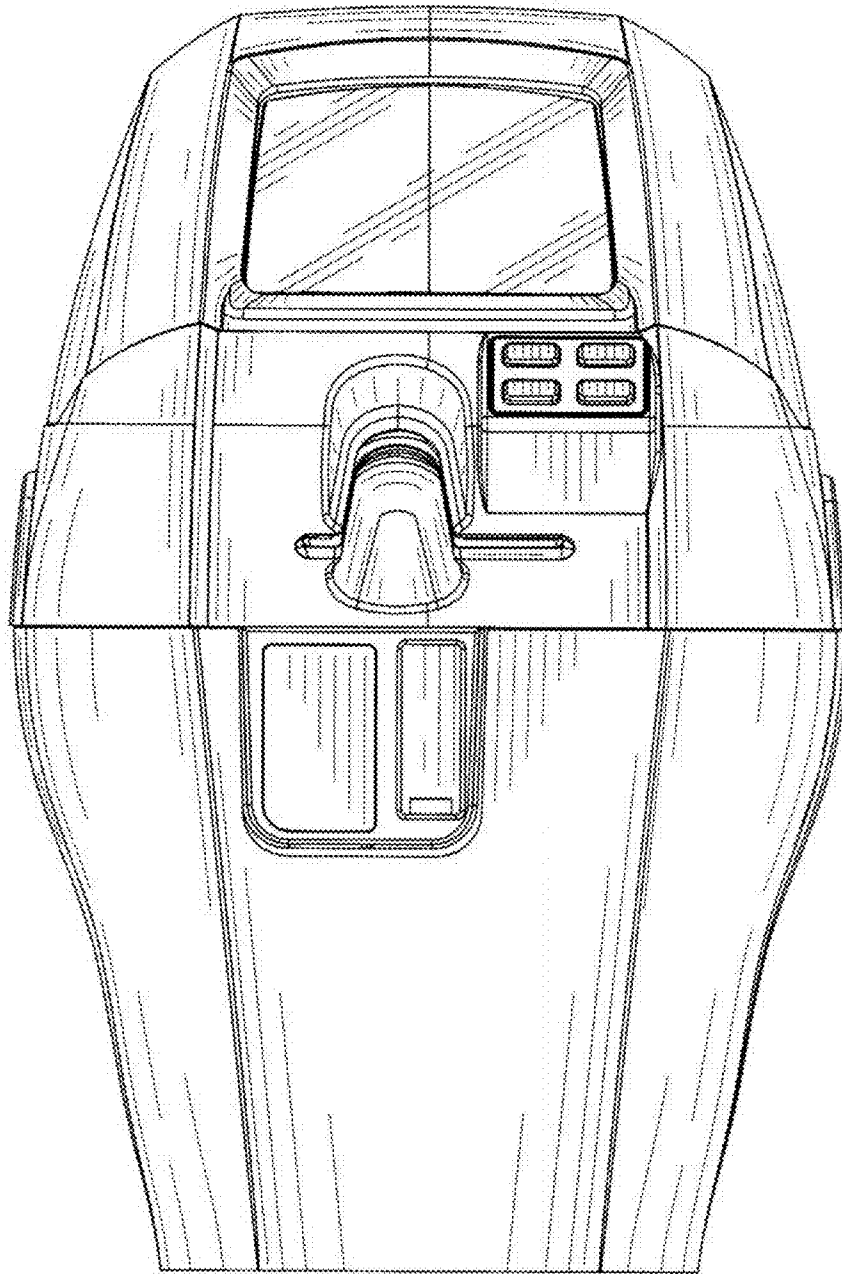


FIG. 2

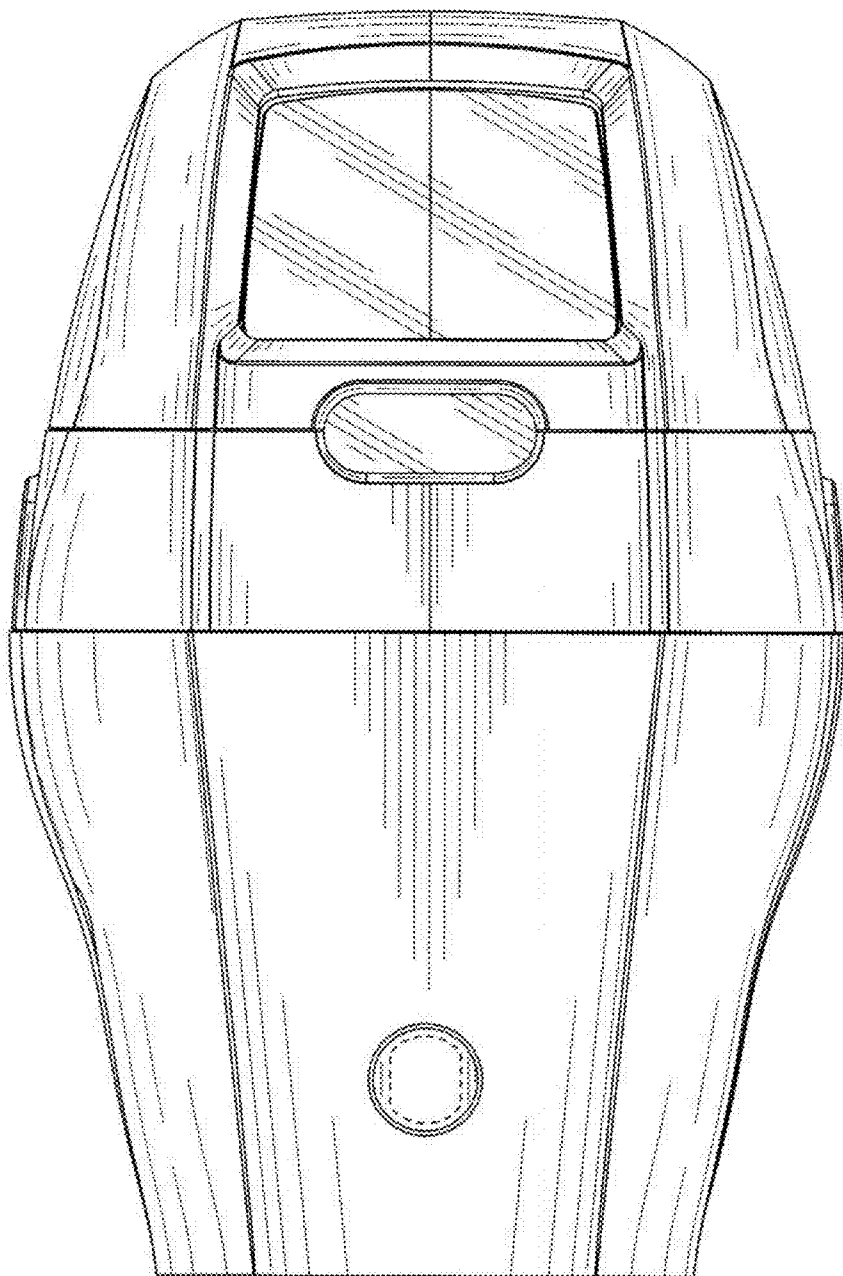


FIG. 3

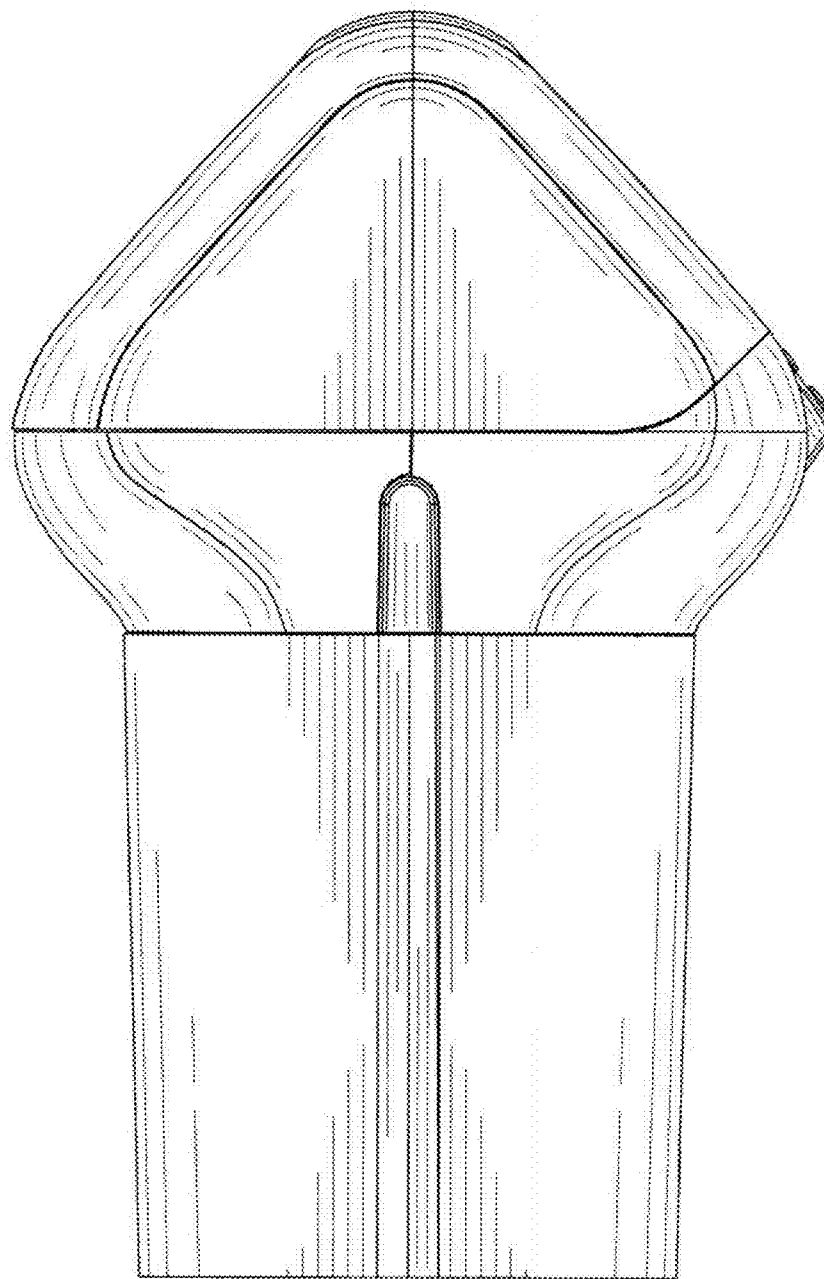
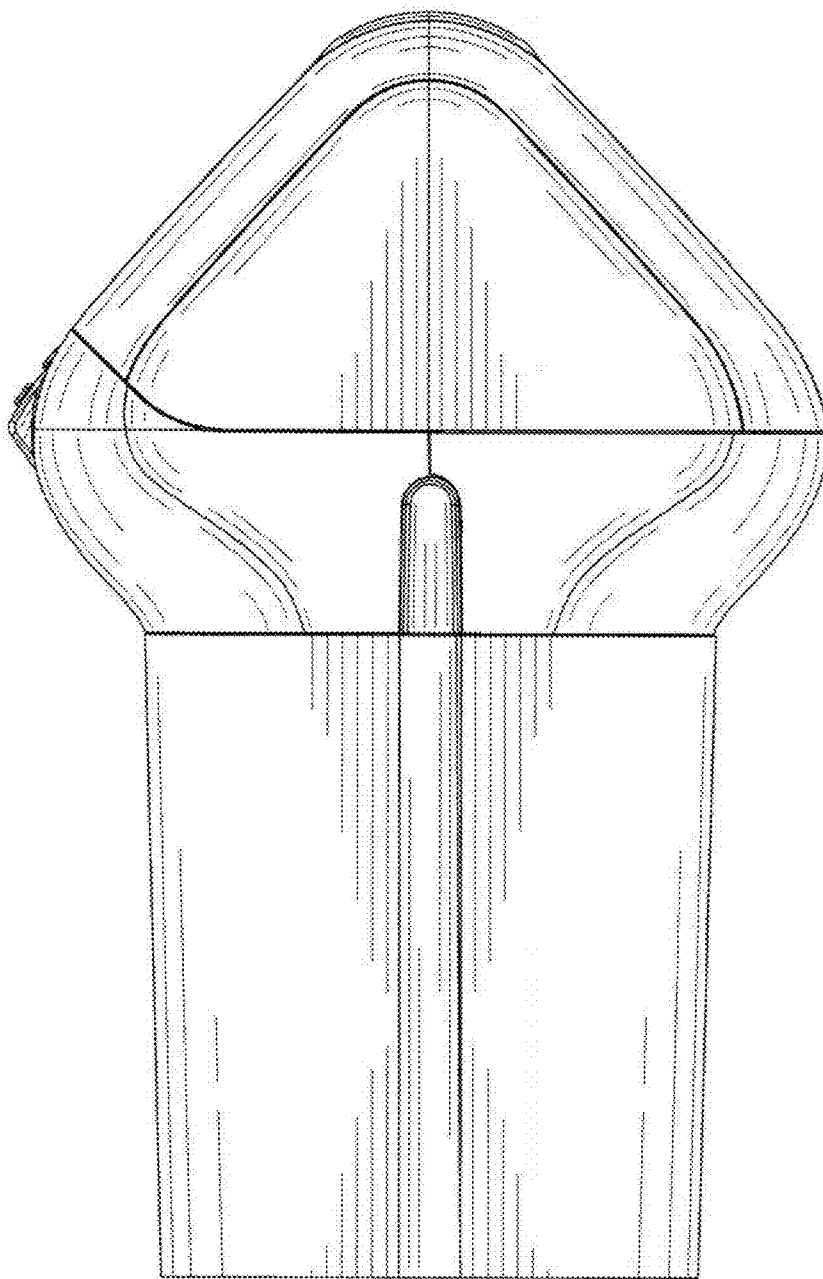


FIG. 4



**FIG. 5**

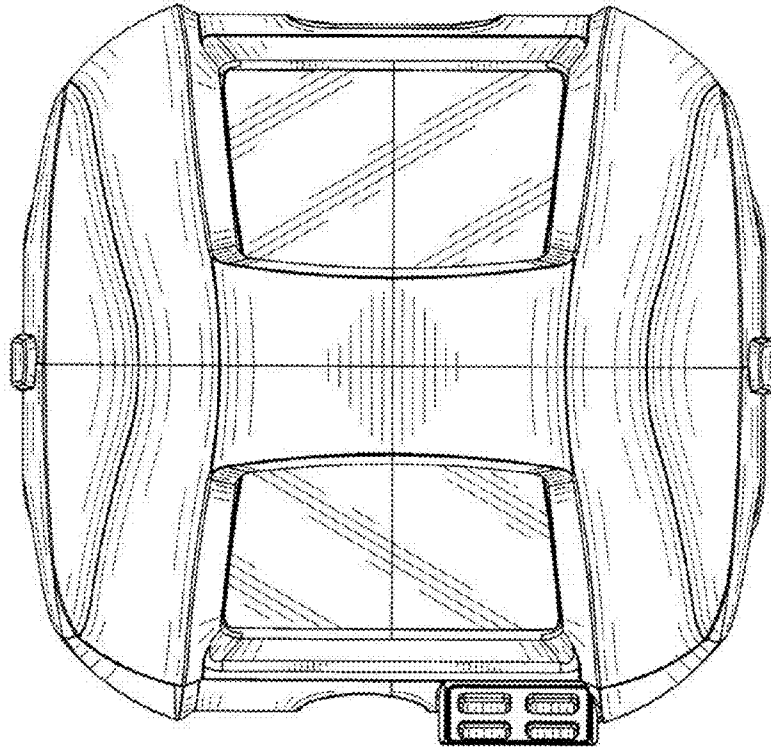


FIG. 6

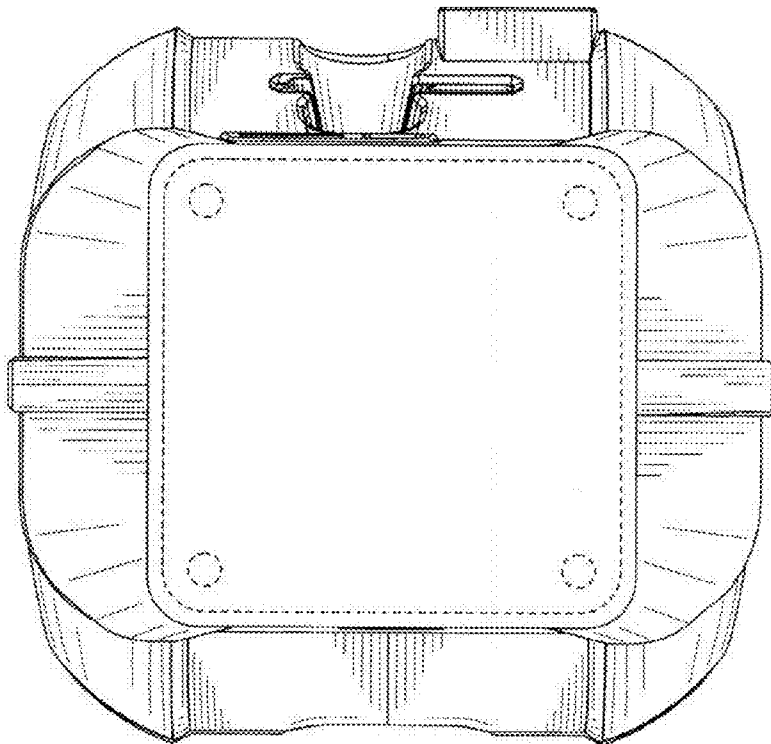


FIG. 7