



Office de la Propriété  
Intellectuelle  
du Canada  
Un organisme  
d'Industrie Canada

Canadian  
Intellectual Property  
Office  
An agency of  
Industry Canada

Registration Number:  
Date of Registration:

171654

2017-11-30

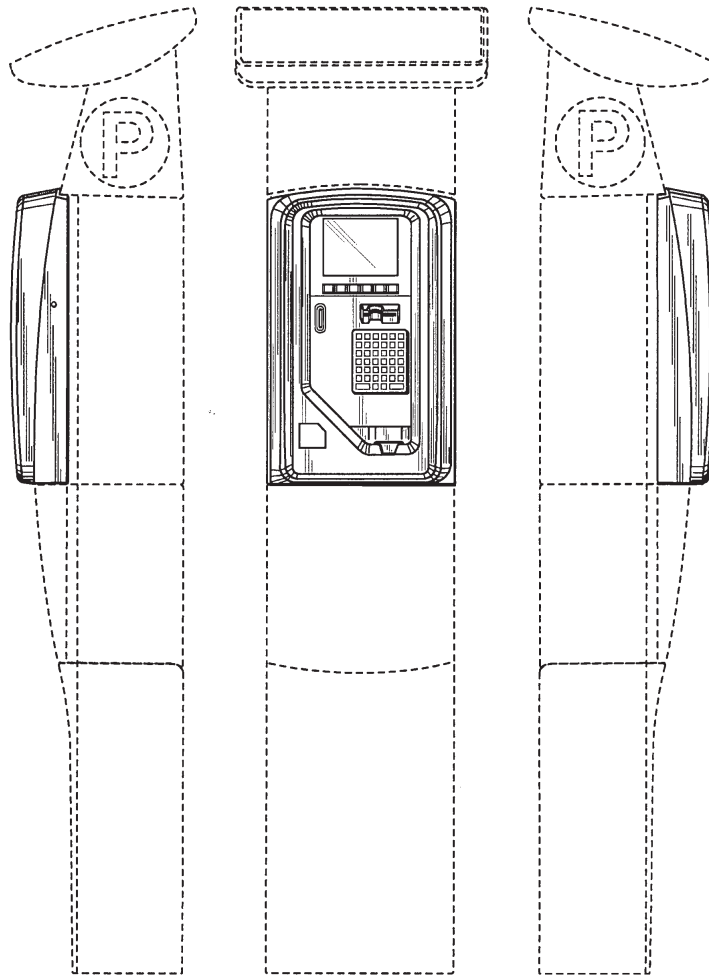
**MULTISPACE PARKING PAY STATION**

Applicant(s) as Filed: **IPS GROUP, INC.**

**Description:**

The Design consists of the features of shape, configuration, and ornament of the MULTISPACE PARKING PAY STATION as shown in solid lines in the drawings.

1 / 3



**FIG. 2**

**FIG. 1**

**FIG. 3**

# Details

## Third-Party Information Liability Disclaimer

Some of the information on this Web page has been provided by external sources. The Government of Canada is not responsible for the accuracy, reliability or currency of the information supplied by external sources. Users wishing to rely upon this information should consult directly with the source of the information. Content provided by external sources is not subject to official languages, privacy and accessibility requirements.

**National Application/Registration** : 171654

**Date of Registration** :

2017-11-30

**Made available on** :

2017-11-30

**Status** :

Registered

---

**Title or finished article**: MULTISPACE PARKING PAY STATION

**Canadian Classification**:

10-03-OTHER TIME-MEASURING INSTRUMENTS

20-01-AUTOMATIC VENDING MACHINES

**Other Classes Searched**:

N/A

---

**Description**:

The Design consists of the features of shape, configuration, and ornament of the MULTISPACE PARKING PAY STATION as shown in solid lines in the drawings. Portions shown in stippled lines do not form part of the design. Drawings of the Design are included, in which: Figure 1 is a front elevational view of a MULTISPACE PARKING PAY STATION; Figure 2 is a right side elevational view thereof; Figure 3 is a left side elevational view thereof; Figure 4 is a rear elevational view thereof; Figure 5 is a top plan view thereof; Figure 6 is a bottom plan view thereof; and Figure 7 is a top front perspective view thereof.

---

**Statement**:

N/A

---

**Interested Parties**

**Applicant(s) as Filed**:

IPS GROUP INC.

**Registered Proprietor(s)**:

IPS GROUP INC.  
7737 KENAMAR COURT  
SAN DIEGO, 92121  
CALIFORNIA, UNITED STATES OF AMERICA

**Proprietor(s):**

IPS GROUP INC.  
7737 KENAMAR COURT  
SAN DIEGO, 92121  
CALIFORNIA, UNITED STATES OF AMERICA

**Client Reference Number:**

81801293 (83472-57)

**Representative for Service:**

SMART & BIGGAR LLP  
2300-1055 WEST GEORGIA BOX 11115  
VANCOUVER, V6E 3P3  
BRITISH COLUMBIA, CANADA

**Agent:**

SMART & BIGGAR LLP  
2300-1055 WEST GEORGIA BOX 11115  
VANCOUVER, V6E 3P3  
BRITISH COLUMBIA, CANADA

---

**Registration Expiry date (Subject to payment of a maintenance fee):** 10 years

**Maintenance Fee Paid:**

No

**Filing Date:**

2016-11-16

**Correction(s):**

No

**Priority Claim(s):**

Third-Party Information Liability Disclaimer

1 / 3

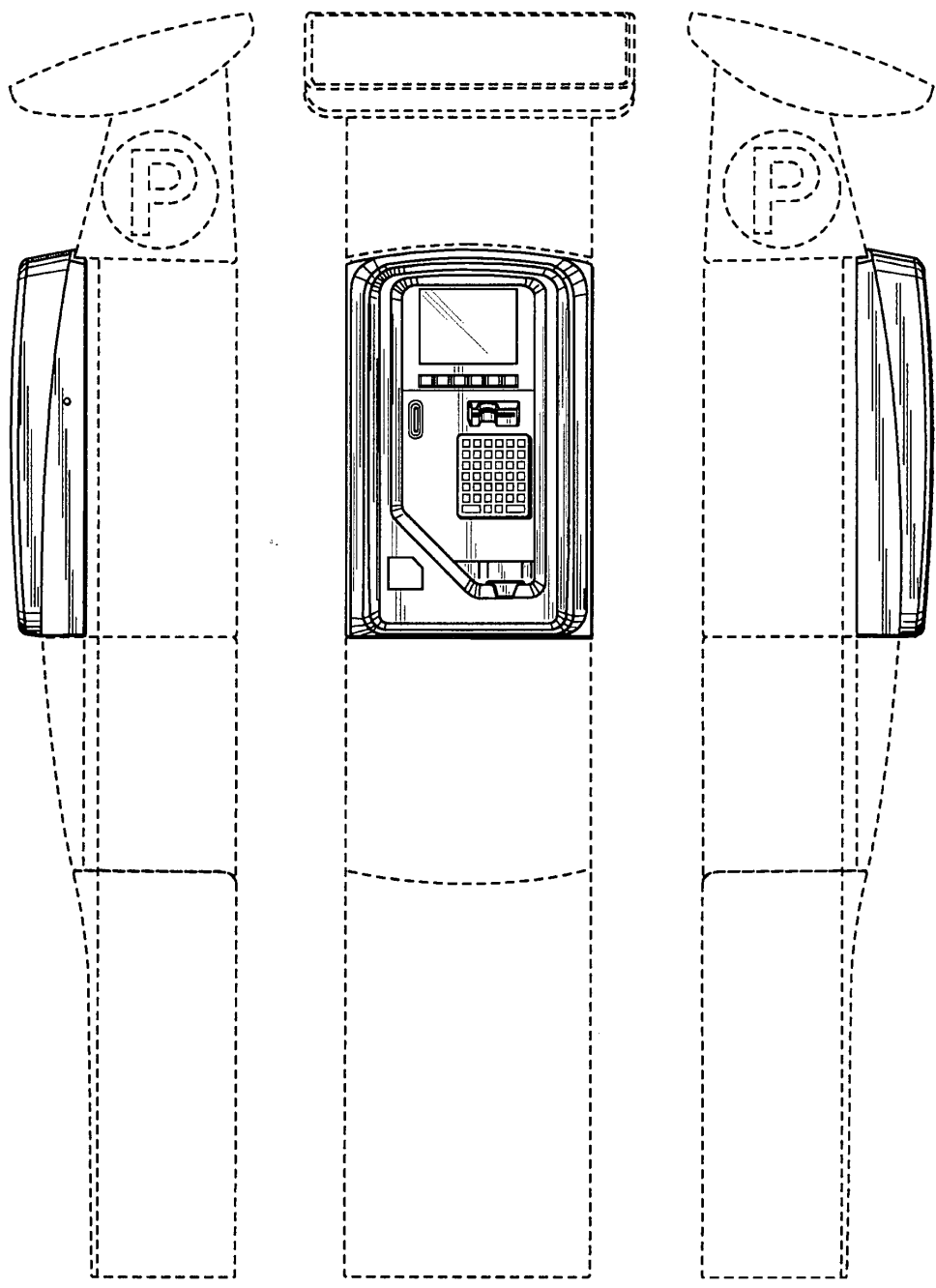
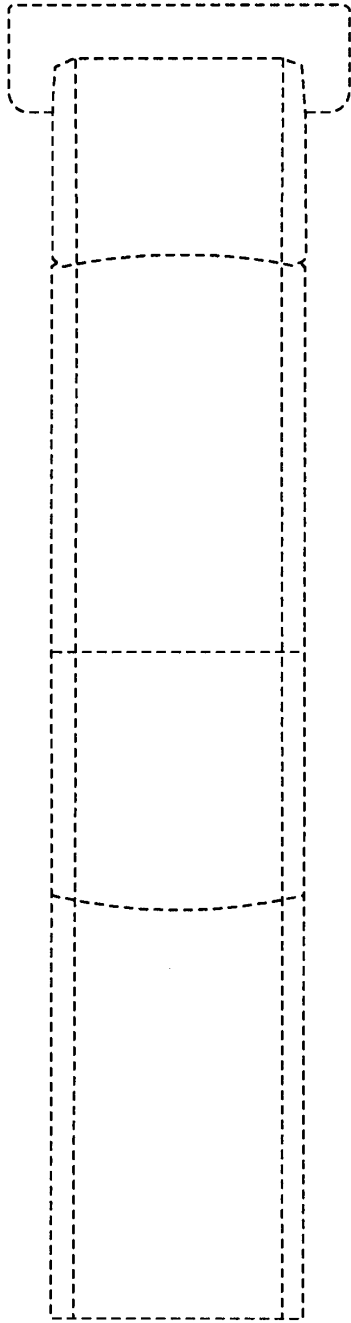


FIG. 2

FIG. 1

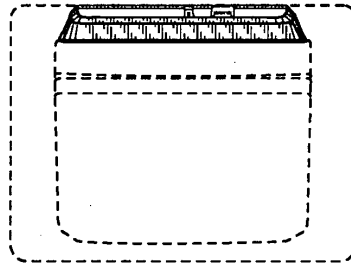
FIG. 3



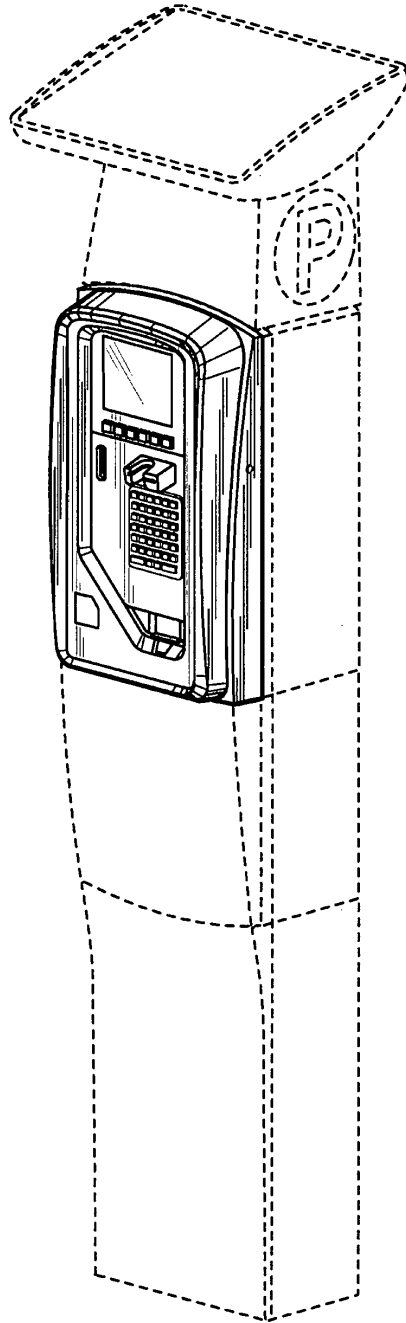
**FIG. 4**



**FIG. 5**



**FIG. 6**



**FIG. 7**